

STAGE

CAFETERIA

MENU BOARD

Cafeteria Network

Notes

Notes	Rev	DATE

ISSUE DATE: 9/1/2017

PROJECT ENGINEER:
DRAWN BY:
OPPORTUNITY NUMBER:

DRAWING NUMBER
AV-01
© 2017 Harman Professional

Cafeteria Network

Notes

Notes	Rev	DATE

ISSUE DATE: 9/1/2017

PROJECT ENGINEER:
DRAWN BY:
OPPORTUNITY
NUMBER:

DRAWING NUMBER

AV-02

© 2017 Harman Professional

Control 26C/T



STAGE

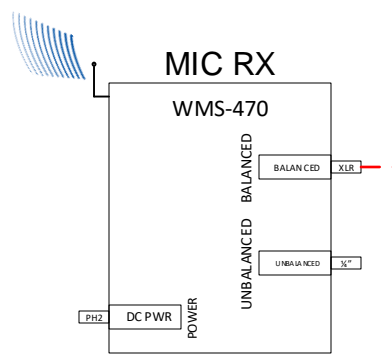
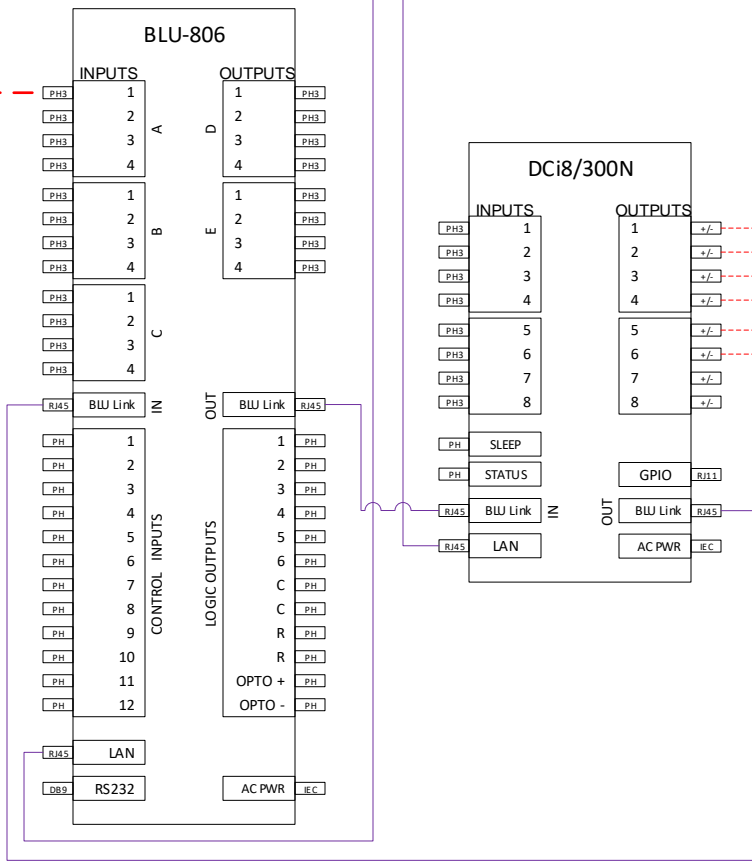
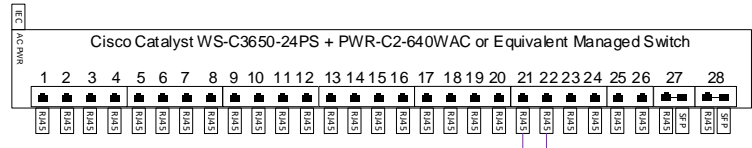
CAFETERIA

Control 26C/T



FOOD SERVICE

Control 26C/T



AKG WMS-470

