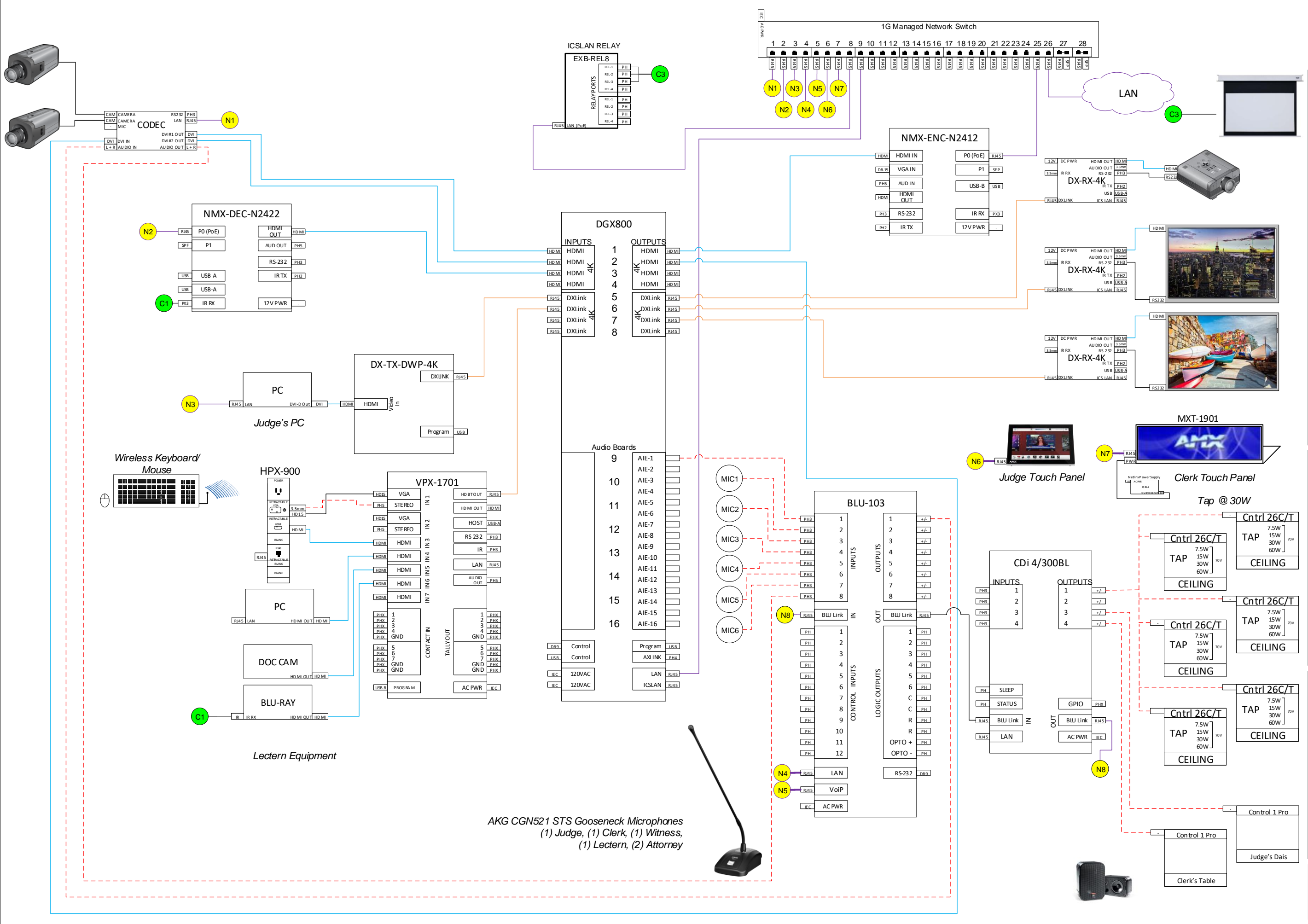


Tele-Video Courtroom Hybrid

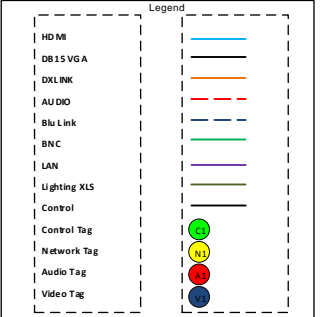


AKG CGN521 STS Gooseneck Microphones
(1) Judge, (1) Clerk, (1) Witness,
(1) Lectern, (2) Attorney

Notes

Notes	Rev	DATE
Initial	0	10/01/17

ISSUE DATE:



PROJECT ENGINEER: Harman
DRAWN BY: Harman

DRAWING NUMBER
AV-01
© 2017 Harman Professional