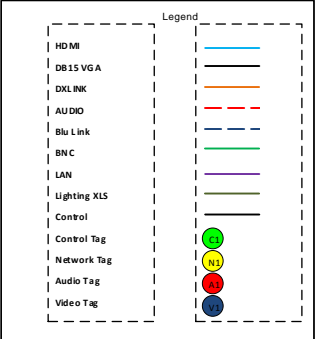


Connected Courtroom Hybrid

Notes

Notes	Rev	DATE
Initial	0	10/02/17
VPX-1401	01	07/12/18

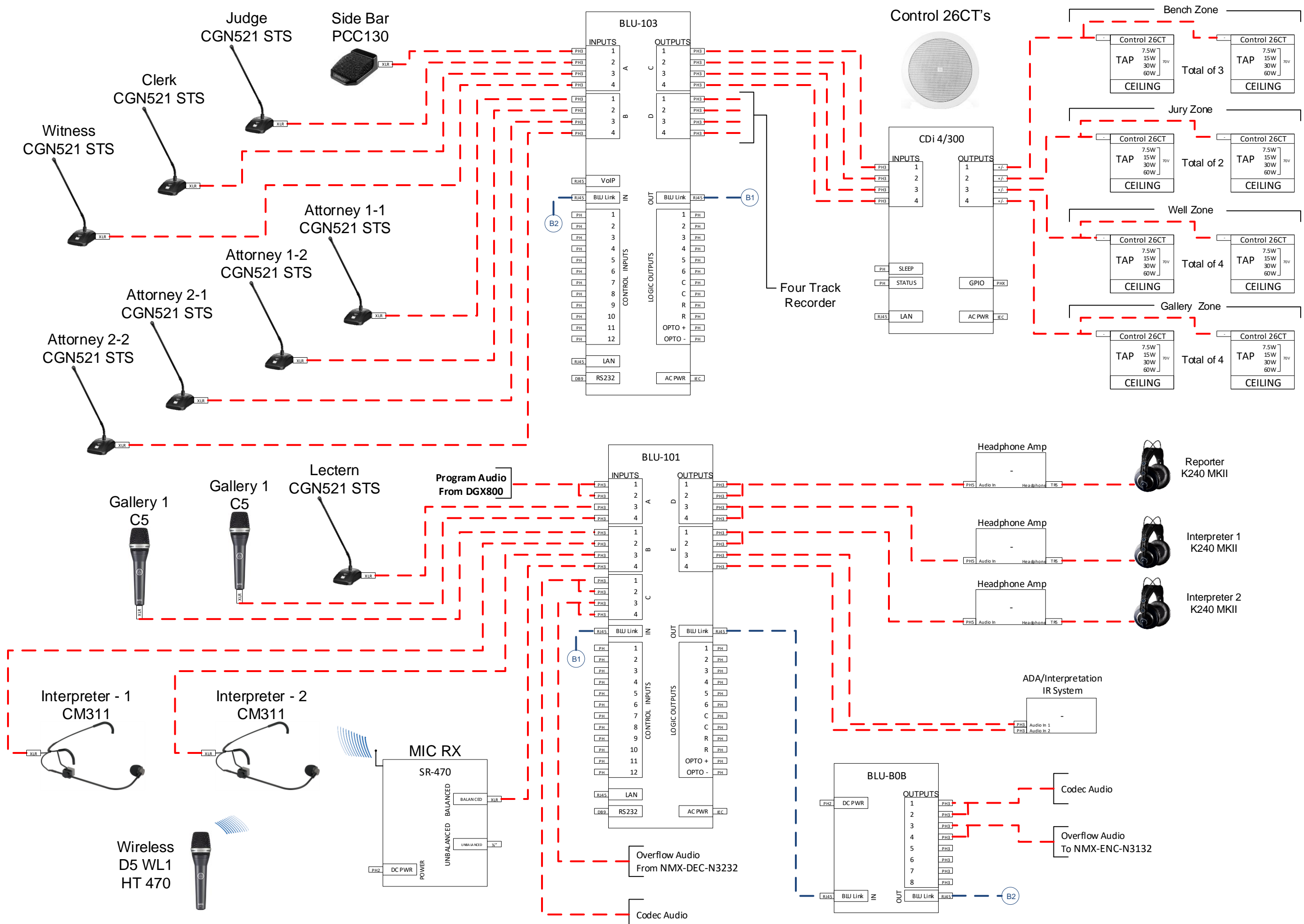
ISSUE DATE:



PROJECT ENGINEER: Harman
DRAWN BY: Harman

DRAWING NUMBER
V-01
© 2017 Harman Professional

Connected Courtroom Hybrid



Notes

Notes	Rev	DATE
Initial	0	10/02/17
General	01	07/12/18

ISSUE DATE:

Legend	
HD MI	
DB15 VGA	
DXL INK	
AUDIO	
Blu Link	
BNC	
LAN	
Lighting XLS	
Control	
Control Tag	
Network Tag	
Audio Tag	
Video Tag	

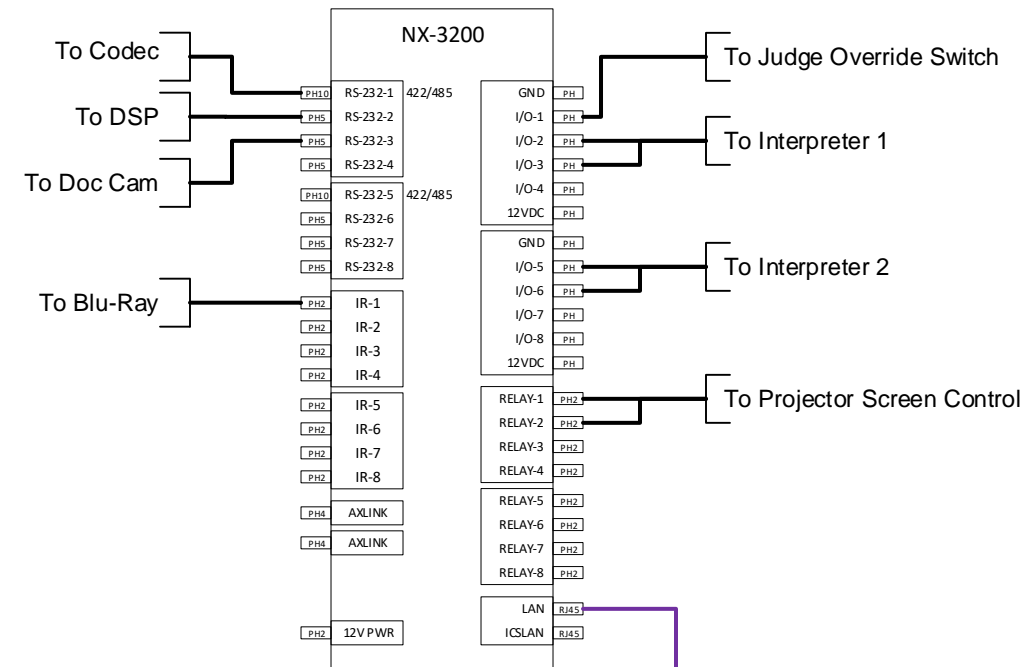
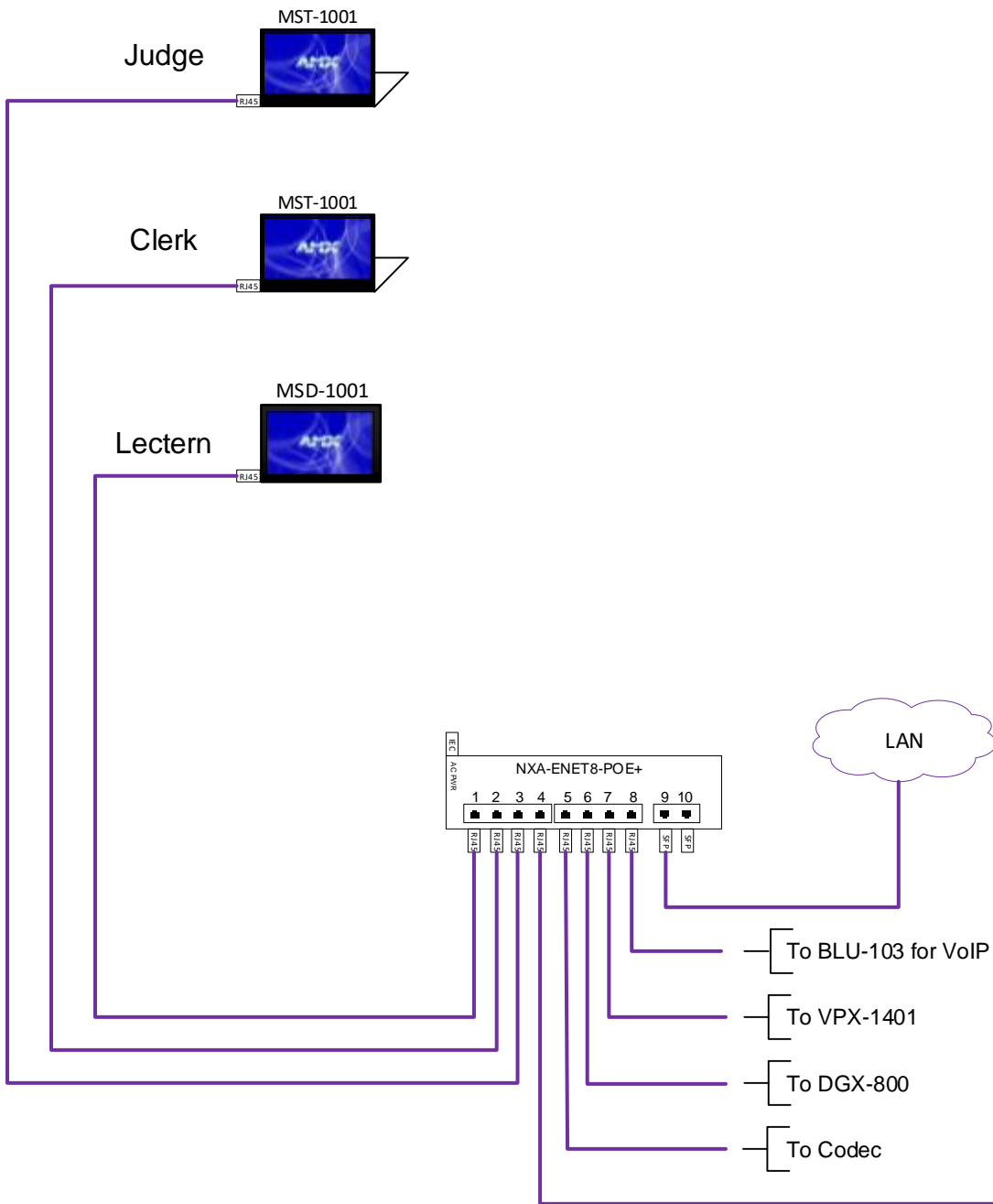
PROJECT ENGINEER: Harman
DRAWN BY: Harman

DRAWING NUMBER

A-01

Connected Courtroom

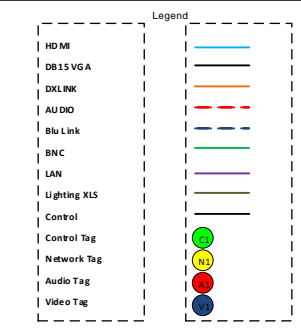
Hybrid



Notes

Notes	Rev	DATE
Initial	0	10/02/17
General	01	07/12/18

ISSUE DATE:



PROJECT ENGINEER: Harman
DRAWN BY: Harman

DRAWING NUMBER

C-01