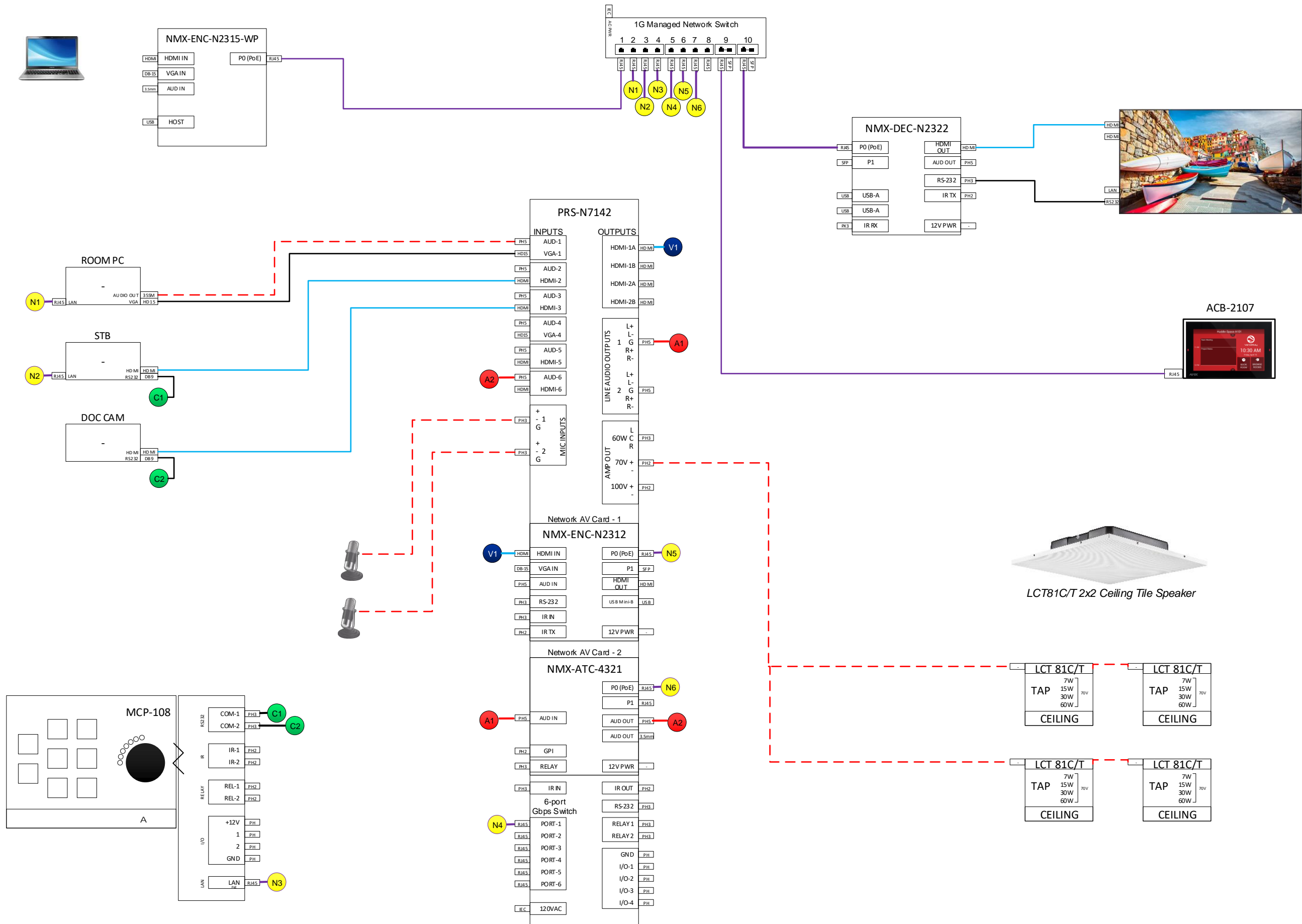


# Education Classroom

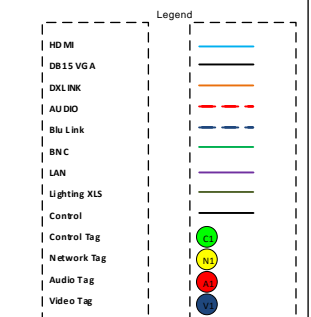
## Hybrid AV



### Notes

Notes	Rev	DATE
CL	0	07/09/18

ISSUE DATE:



PROJECT ENGINEER: Harman  
DRAWN BY: Harman

DRAWING NUMBER

AV-01

© 2017 Harman Professional