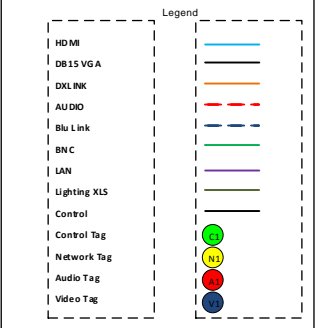


# Active Learning Classroom Hybrid

**Notes**

Notes	Rev	DATE
CL	0	07/09/18

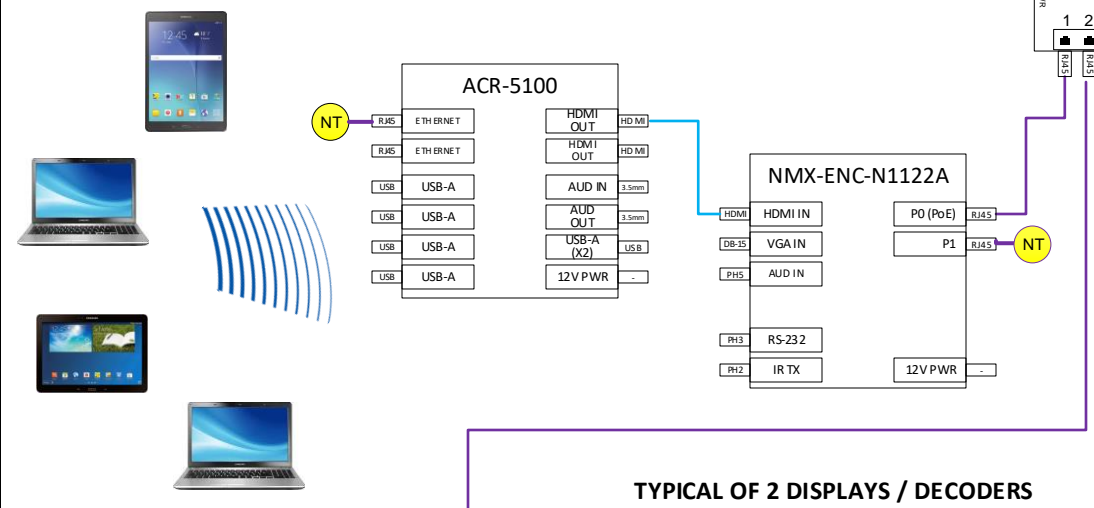
ISSUE DATE:



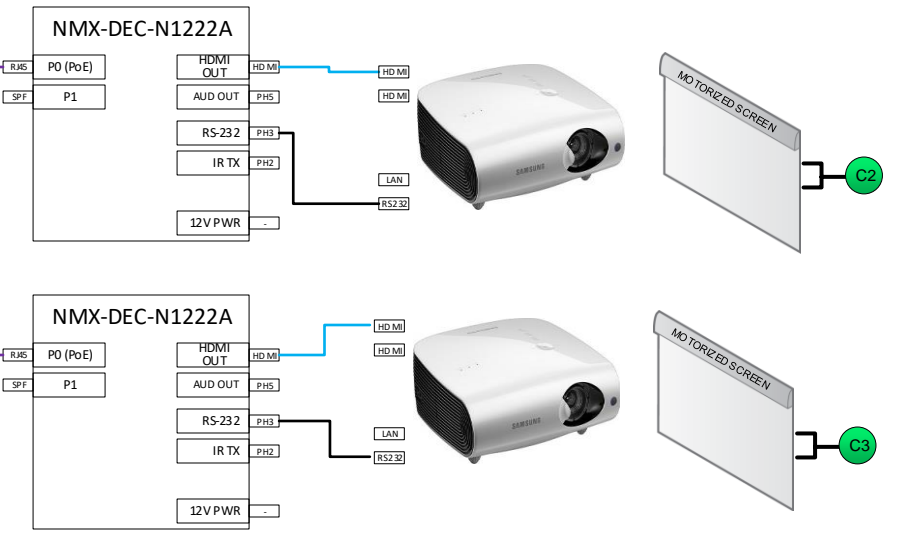
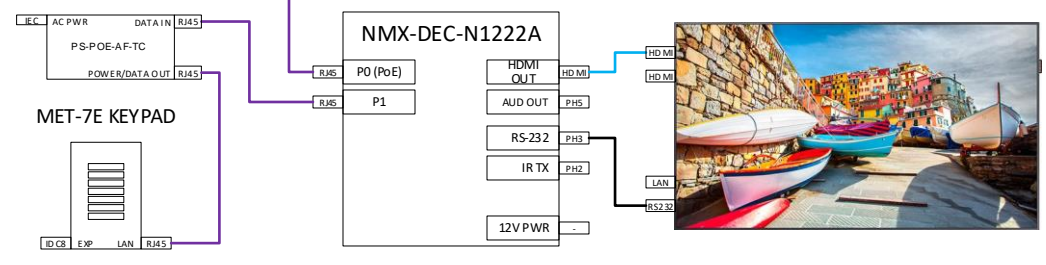
PROJECT ENGINEER: Harman  
DRAWN BY: Harman

DRAWING NUMBER  
**AV-01**  
© 2017 Harman Professional

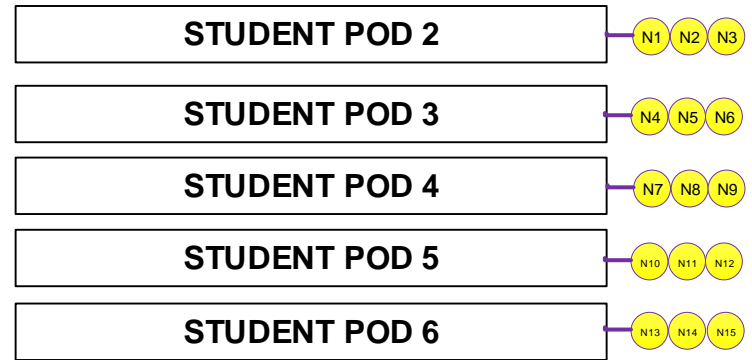
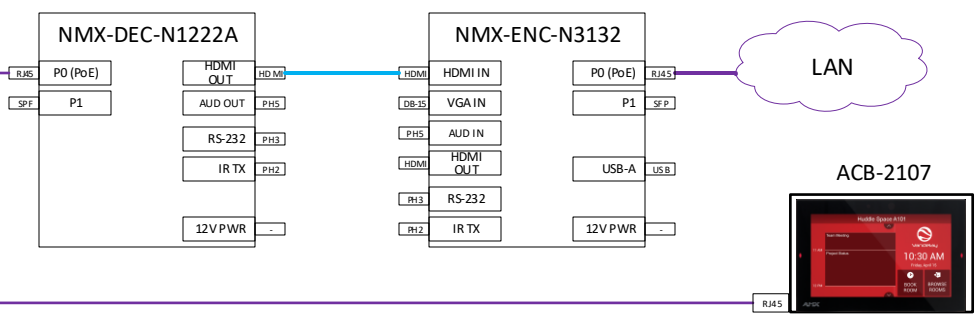
## STUDENT POD 1 (TYPICAL)



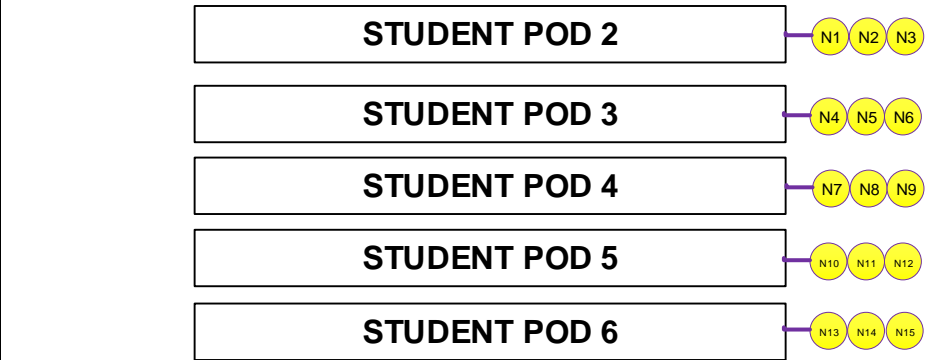
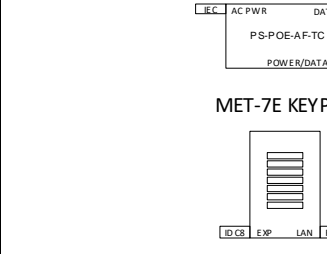
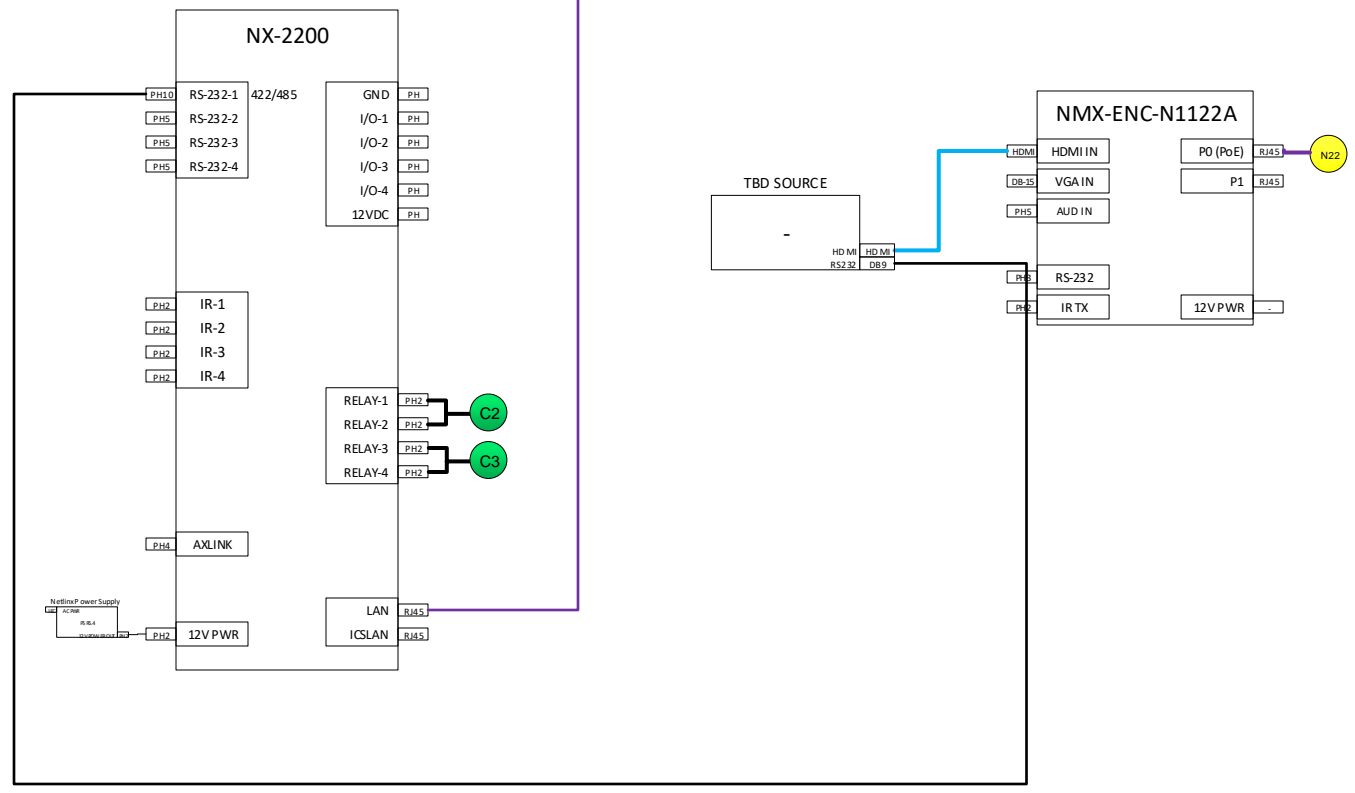
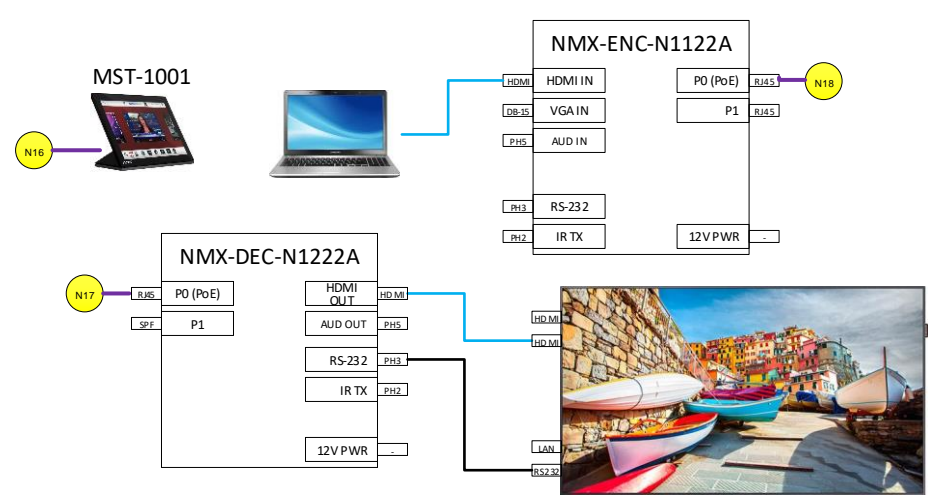
TYPICAL OF 2 DISPLAYS / DECODERS



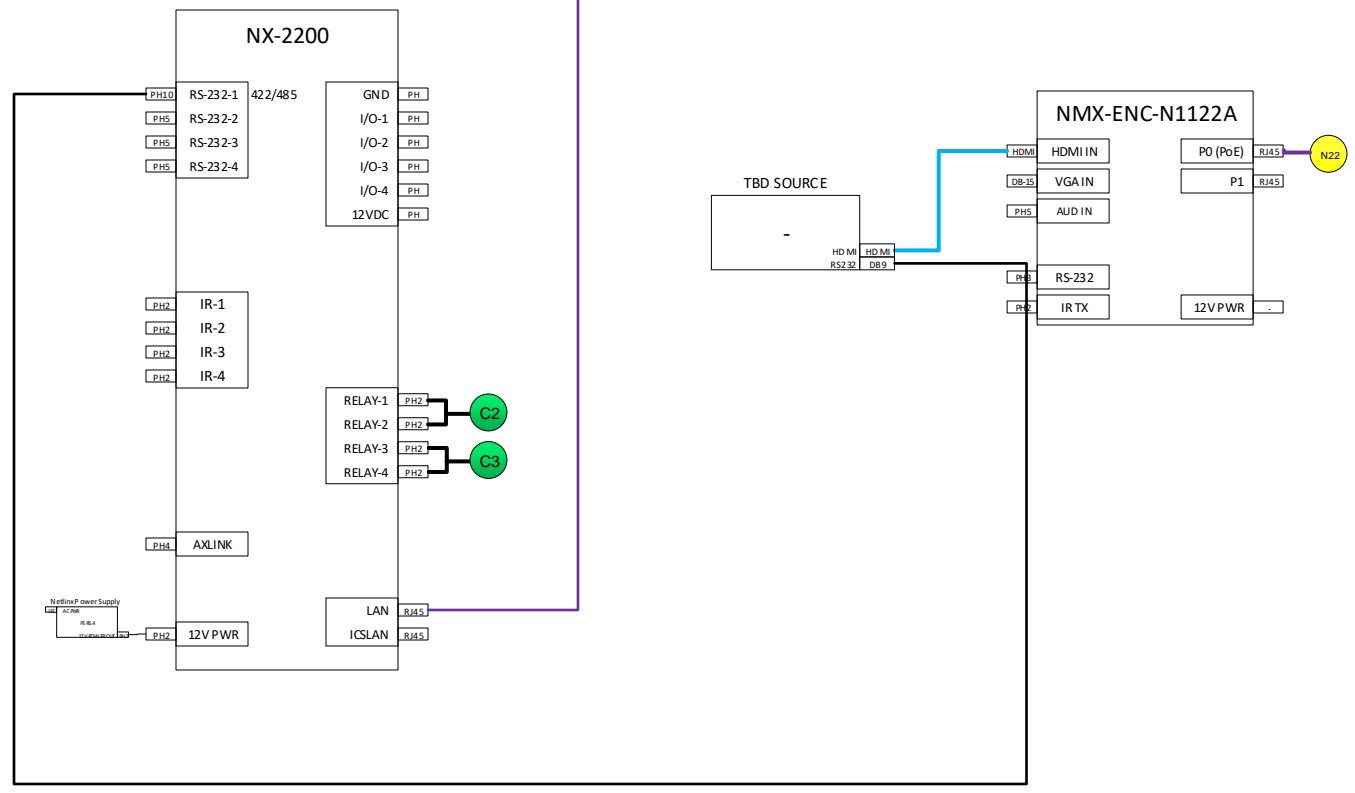
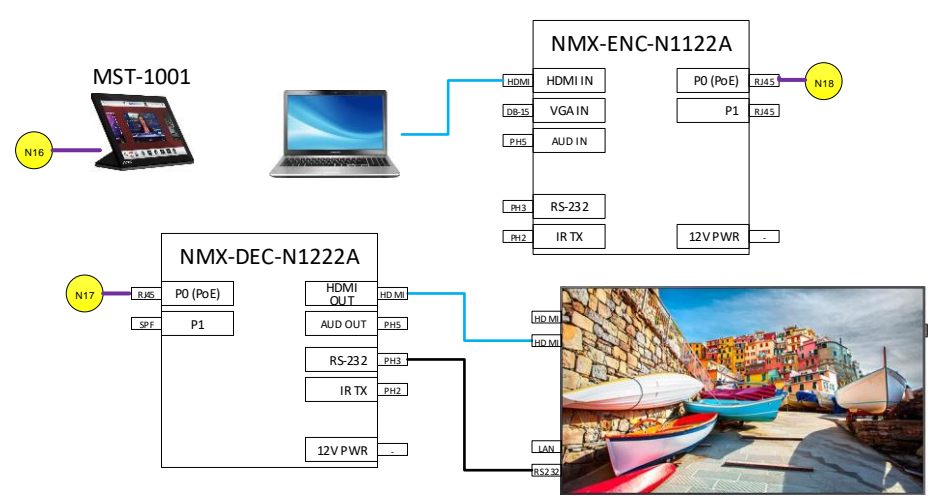
## CAPTURE / LAN DISTRIBUTION



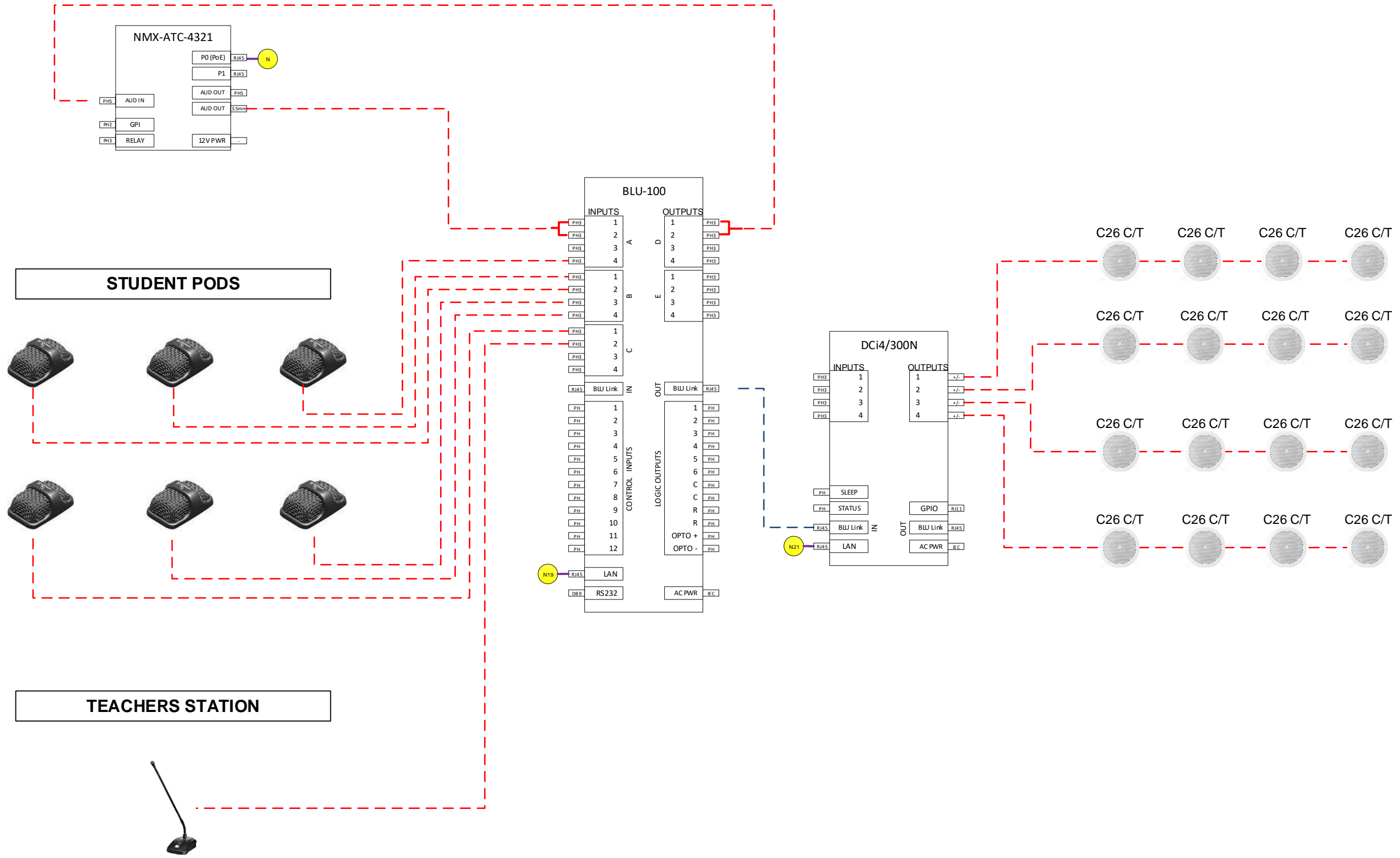
## TEACHERS STATION



## TEACHERS STATION



# Active Learning Classroom Hybrid



**Notes**

Notes	Rev	DATE
CL	0	07/09/18

ISSUE DATE:

Legend

HDMI	—
DB15 VGA	—
DXLINK	—
AUDIO	—
Blu Link	—
BNC	—
LAN	—
Lighting XLS	—
Control	—
Control Tag	●
Network Tag	●
Audio Tag	●
Video Tag	●

PROJECT ENGINEER: Harman  
DRAWN BY: Harman

DRAWING NUMBER  
**AV-01**  
© 2017 Harman Professional