

Note:  
The 3.5mm AUD IN can be used as an Auxiliary Audio Input.  
Typical for all N2315-WP's

**Divisible Conference Space**  
Additional Rooms can be Added  
Network Limitations Apply

**Notes**

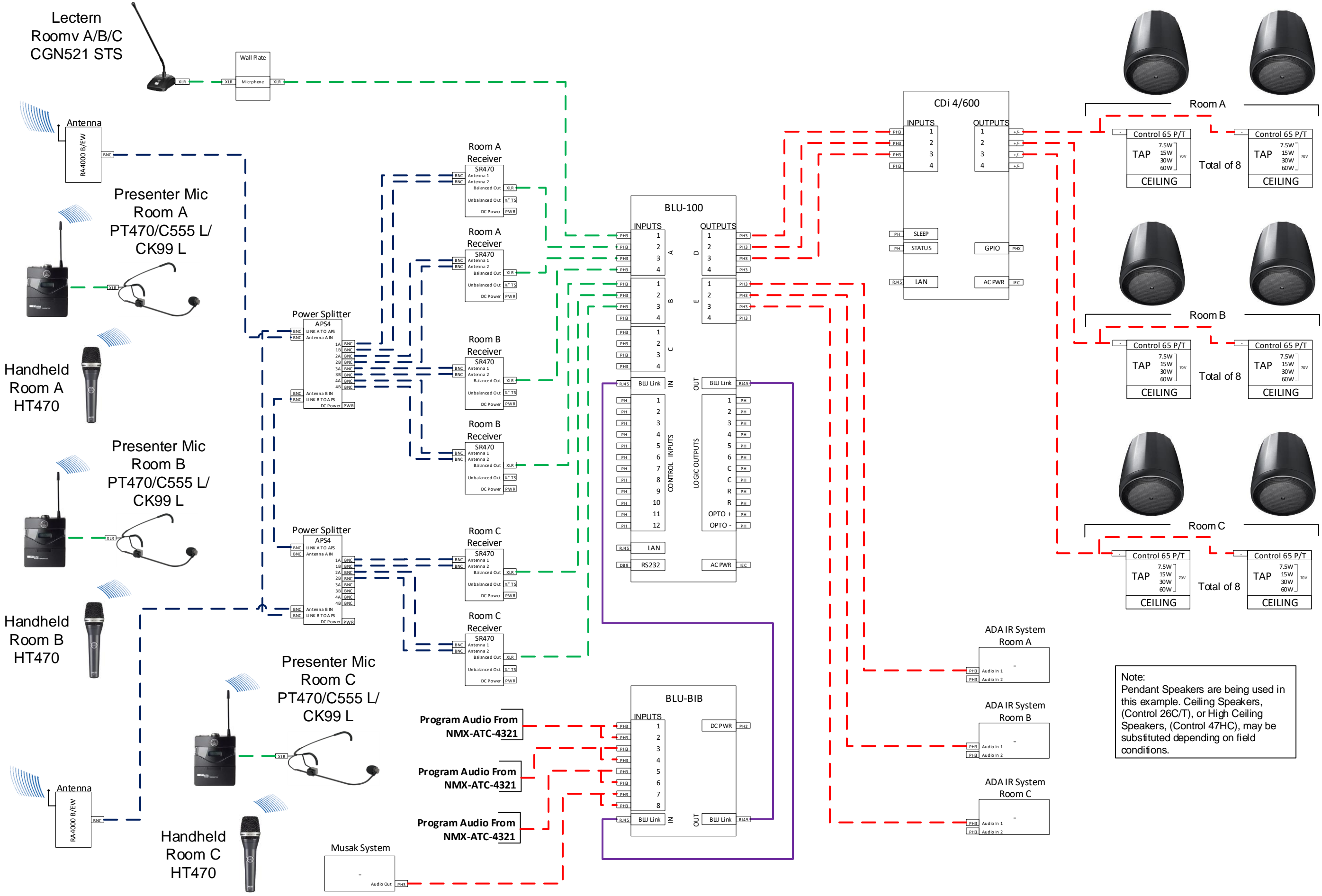
Notes	Rev	DATE
Initial	0	03/14/18

ISSUE DATE:

PROJECT ENGINEER: Harman  
DRAWN BY: Harman  
OPPORTUNITY NUMBER:

DRAWING NUMBER

V-01



**Divisible Conference Space**  
 Addition Rooms can be Added  
 Network Limitations Apply

**Notes**

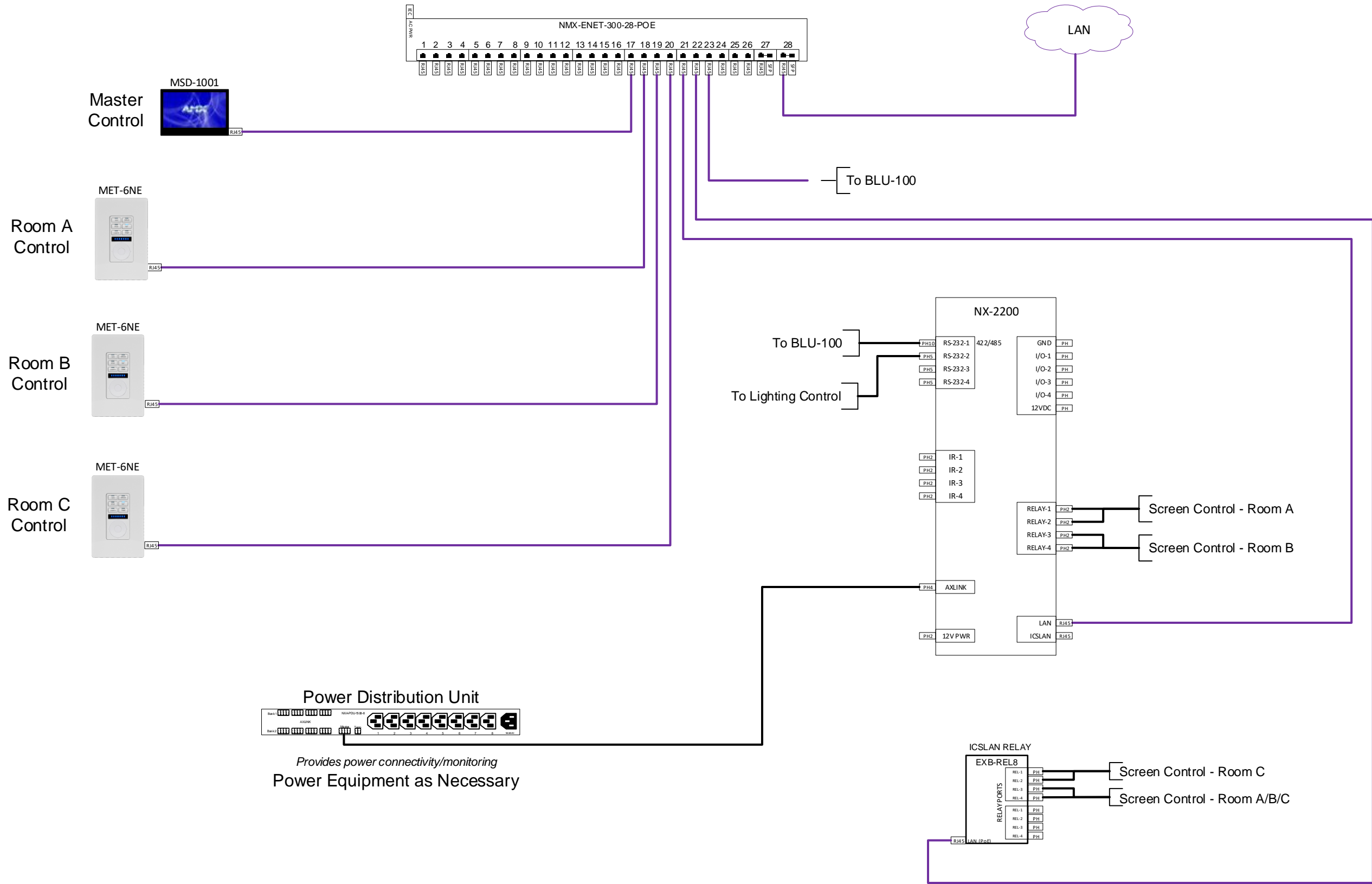
Notes	Rev	DATE
Initial	0	03/14/18

ISSUE DATE:

Note:  
 Pendant Speakers are being used in this example. Ceiling Speakers, (Control 26C/T), or High Ceiling Speakers, (Control 47HC), may be substituted depending on field conditions.

PROJECT ENGINEER: Harman  
 DRAWN BY: Harman  
 OPPORTUNITY NUMBER:

DRAWING NUMBER  
**A-01**  
 © 2018 Harman Professional



**Divisible Conference Space**  
 Addition Rooms can be Added  
 Network Limitations Apply

**Notes**

Notes	Rev	DATE
Initial	0	03/14/18

ISSUE DATE:

PROJECT ENGINEER: Harman  
 DRAWN BY: Harman  
 OPPORTUNITY NUMBER:

DRAWING NUMBER  
**C-01**  
 © 2018 Harman Professional