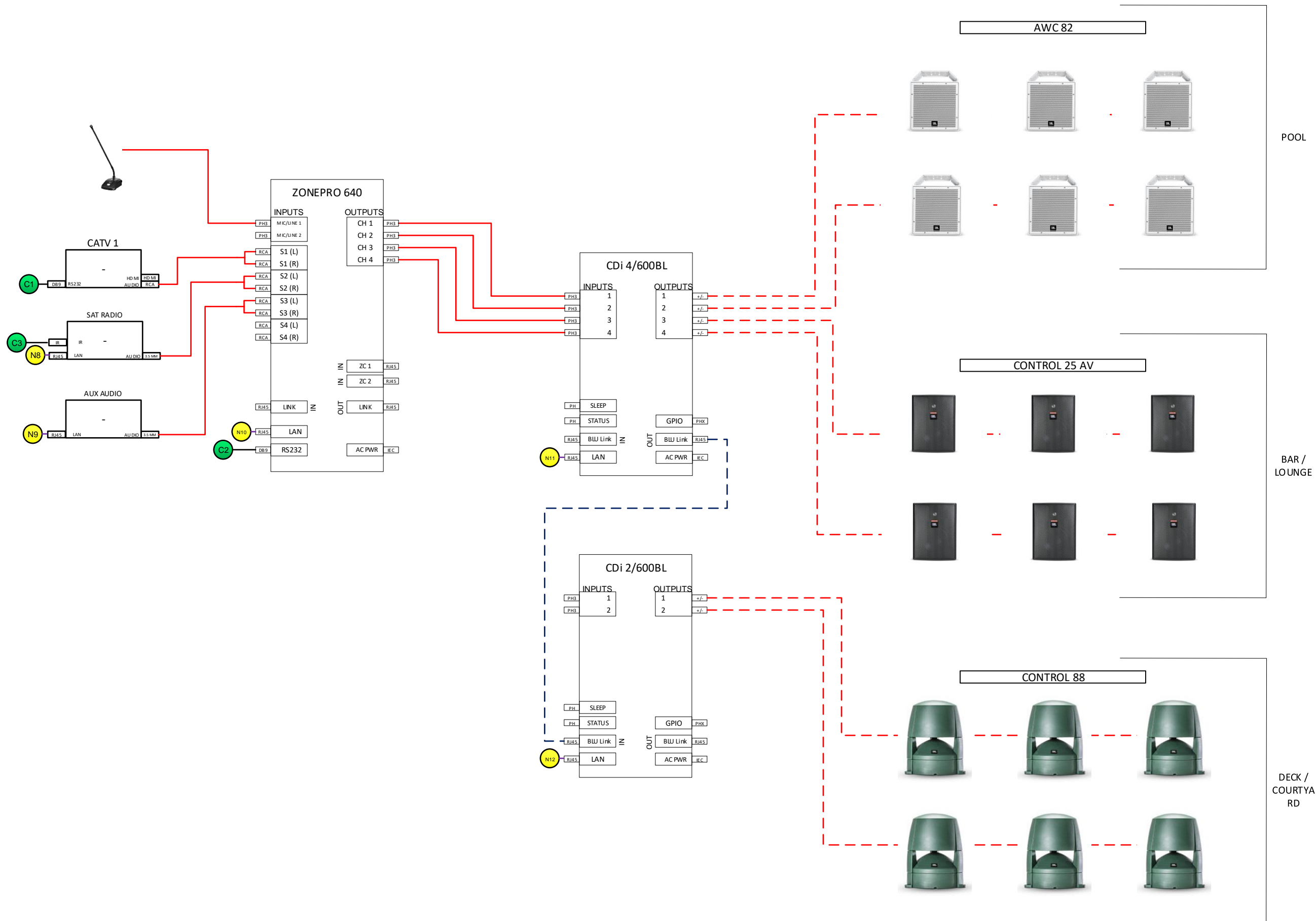


# Hotel – Outdoor Public Spaces



**Notes**

Notes	Rev	DATE
CL	0	03/20/18

ISSUE DATE:

**Legend**

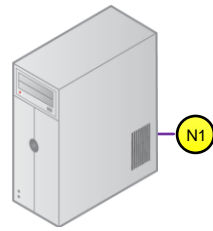
HD IM	—
DB15 VGA	—
DXLINK	—
AU/DIO	—
Blu Link	—
BNC	—
LAN	—
Lighting XLS	—
Control	—
Control Tag	● C1
Network Tag	● N8
Audio Tag	● A9
Video Tag	● V0

PROJECT ENGINEER: Harman  
DRAWN BY: Harman

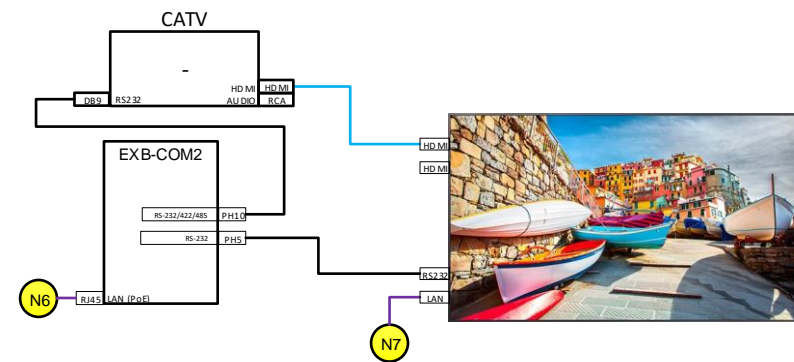
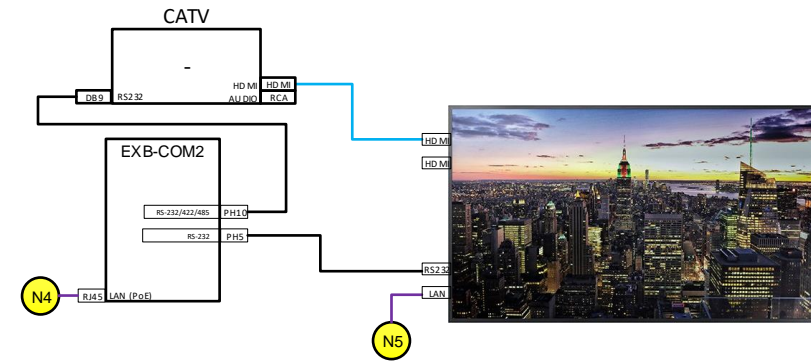
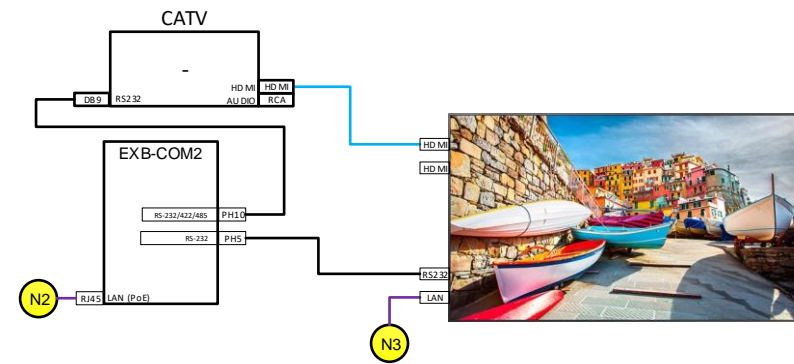
DRAWING NUMBER  
**AV-01**  
© 2017 Harman Professional

*Hotel – Outdoor Public Spaces*

PC / MAGIC INFO SERVER



TYPICAL DISPLAY LOCATION (QTY/LOCATION TBD)



Notes

Notes	Rev	DATE
CL	0	03/20/18

ISSUE DATE:

Legend	
HD M	—
DB15 VG A	—
DX LINK	—
AU DIO	—
Blu Link	—
BNC	—
LAN	—
Lighting XLS	—
Control	—
Control Tag	● (Green)
Network Tag	● (Yellow)
Audio Tag	● (Red)
Video Tag	● (Blue)

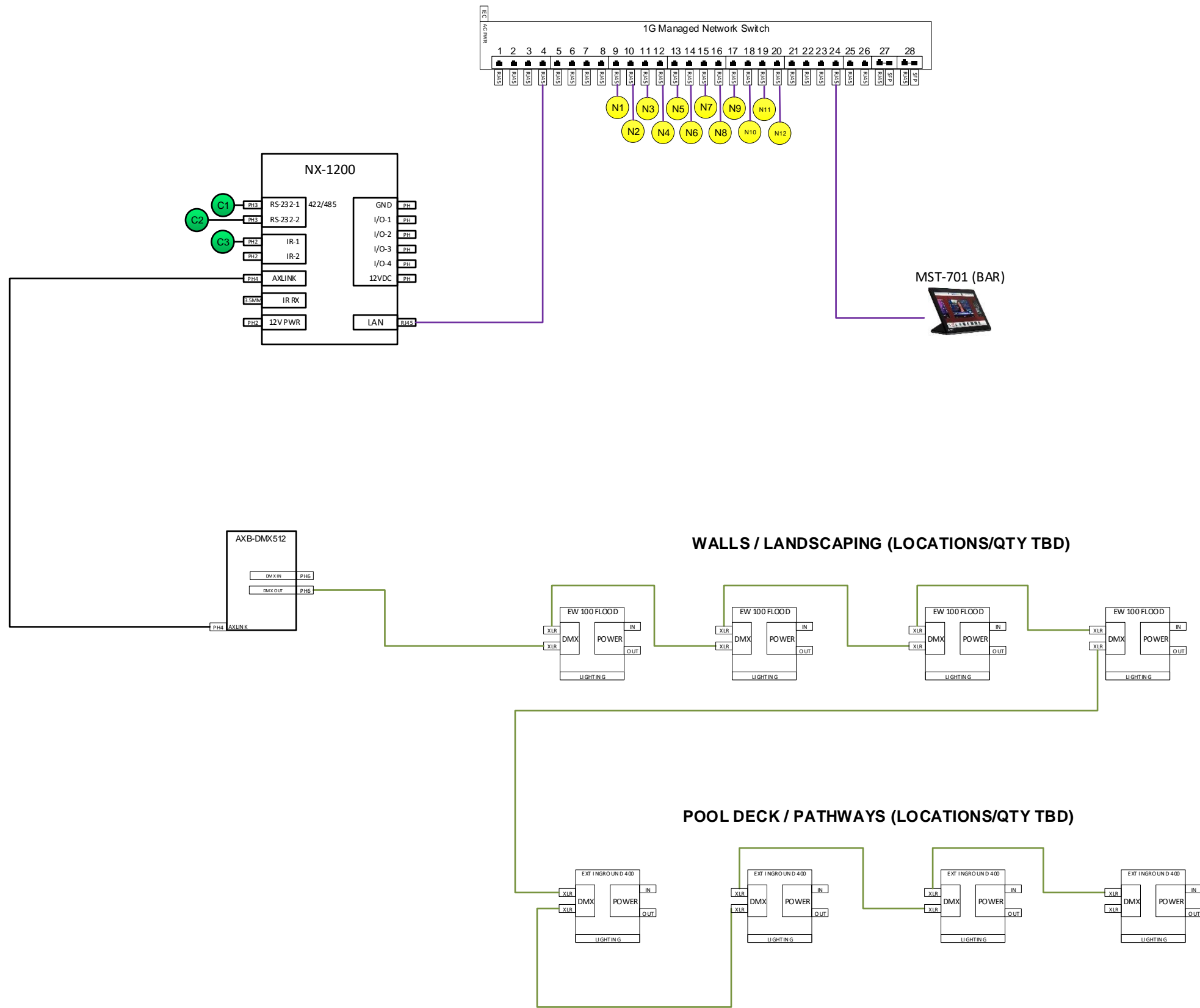
PROJECT ENGINEER: Harman  
DRAWN BY: Harman

DRAWING NUMBER

AV-03

© 2017 Harman Professional

# Hotel – Outdoor Public Spaces



### Notes

Notes	Rev	DATE
	0	

ISSUE DATE:

Legend	
HD MI	
DB15 VGA	
DXLINK	
AU/DIO	
Blu Link	
BNC	
LAN	
Lighting XLS	
Control	
Control Tag	
Network Tag	
Audio Tag	
Video Tag	

PROJECT ENGINEER: Harman  
DRAWN BY: Harman

DRAWING NUMBER  
**AV-02**  
© 2017 Harman Professional