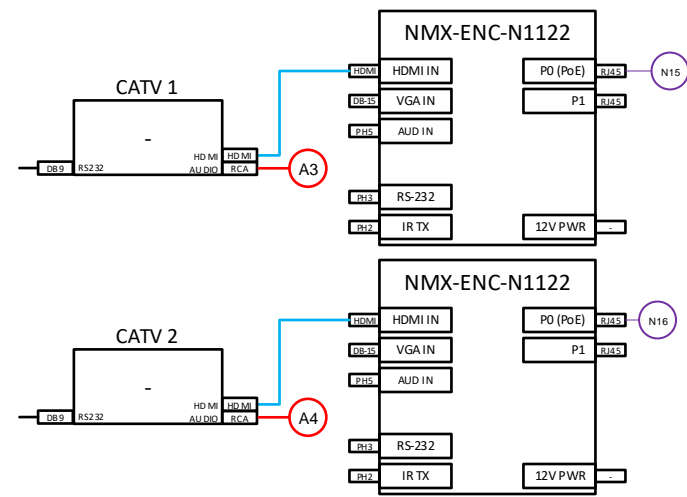
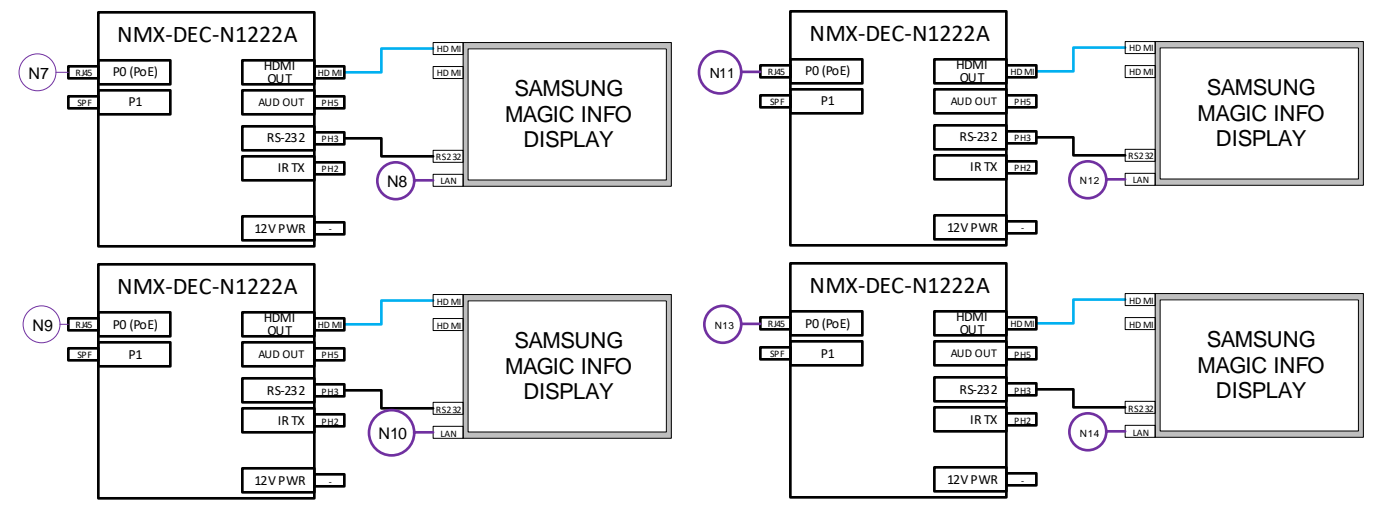


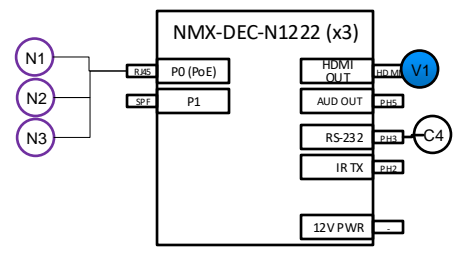
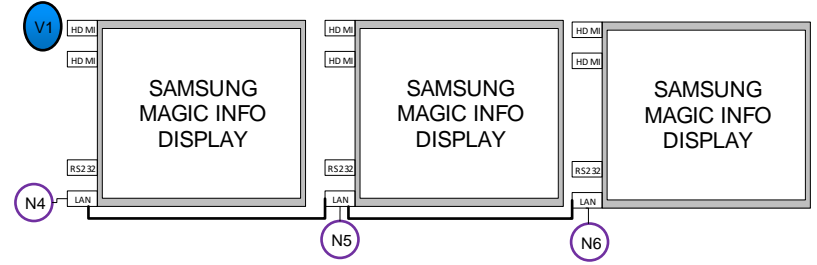
**Rack Area**



**STORE FLOOR**



**Displays with Strategic Messaging**

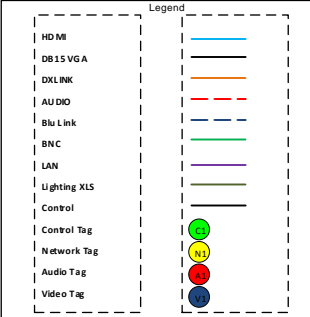


**RETAIL Luxury /  
Flagship Location**  
Network Video

**Notes**

Notes	Rev	DATE

ISSUE DATE:



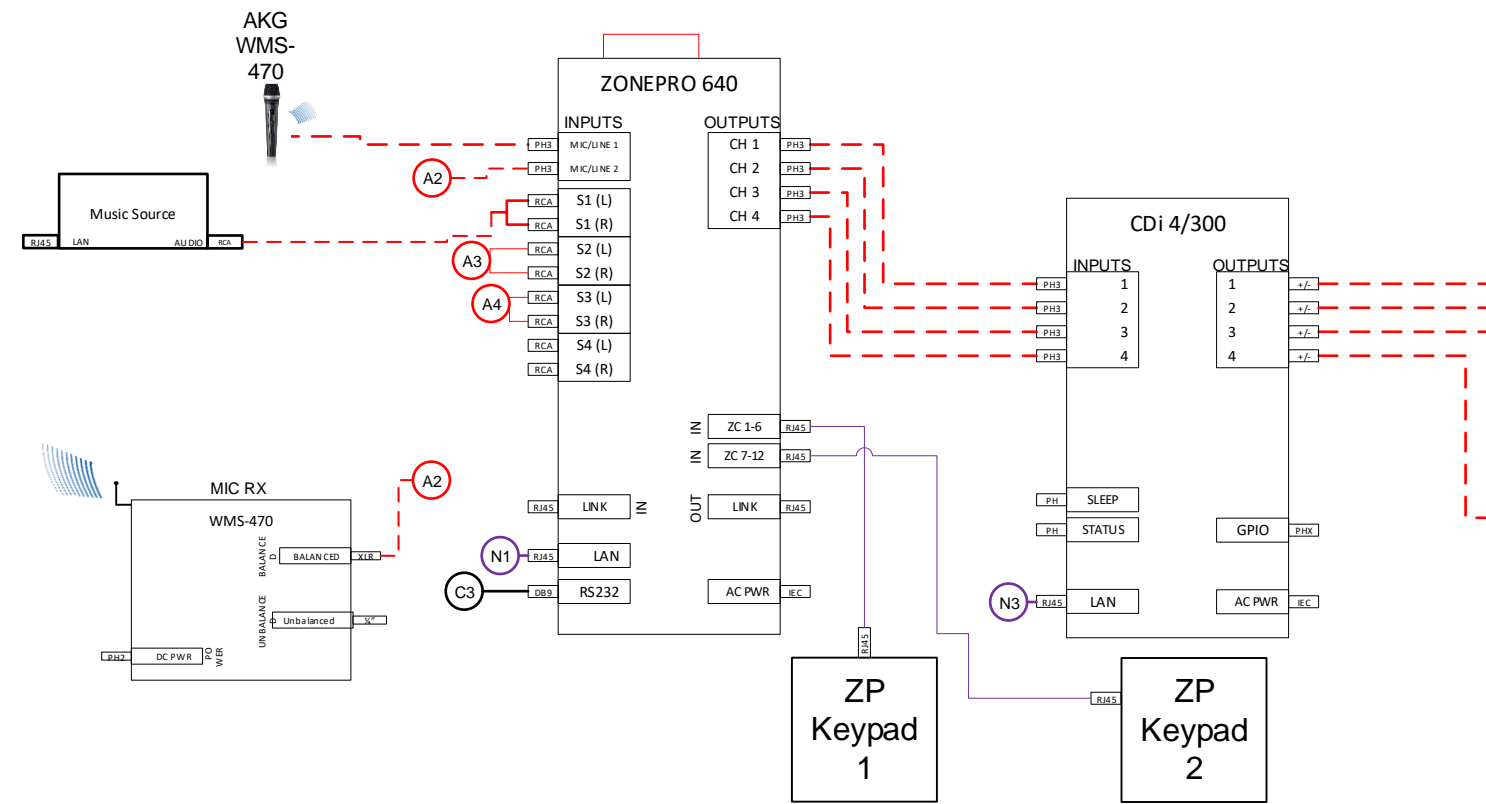
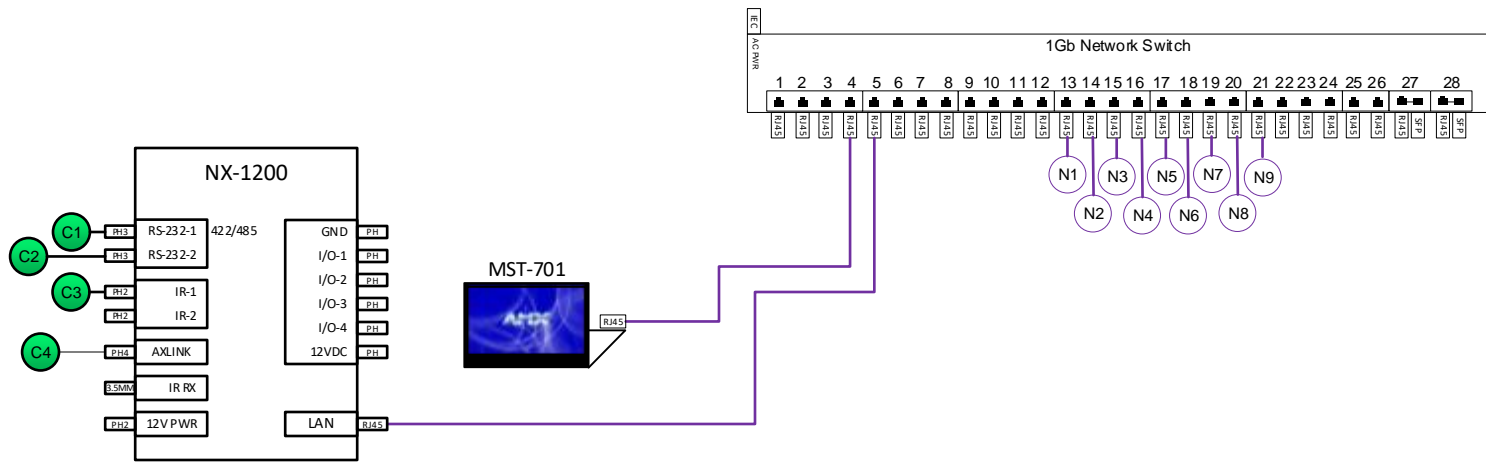
PROJECT ENGINEER: Harman  
DRAWN BY: Harman

DRAWING NUMBER

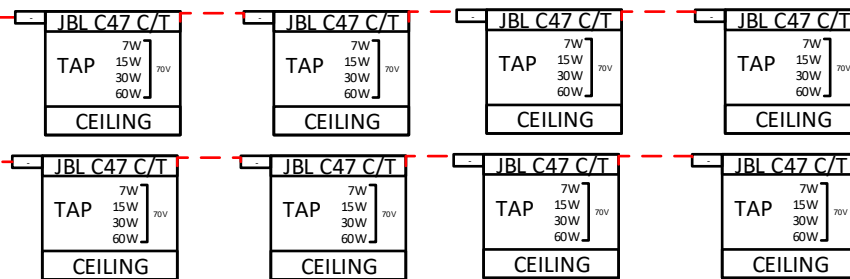
AV-01

© 2018 Harman Professional

# RETAIL Luxury / Flagship Location



**C67 Pendent Speaker locations to be determined**

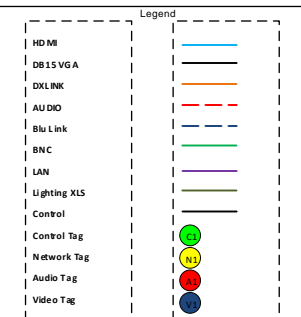


**Control 47 C/T Ceiling Speaker locations to be determined**

### Notes

Notes	Rev	DATE

ISSUE DATE:



PROJECT ENGINEER: Harman  
 DRAWN BY: Harman

DRAWING NUMBER

AV-02

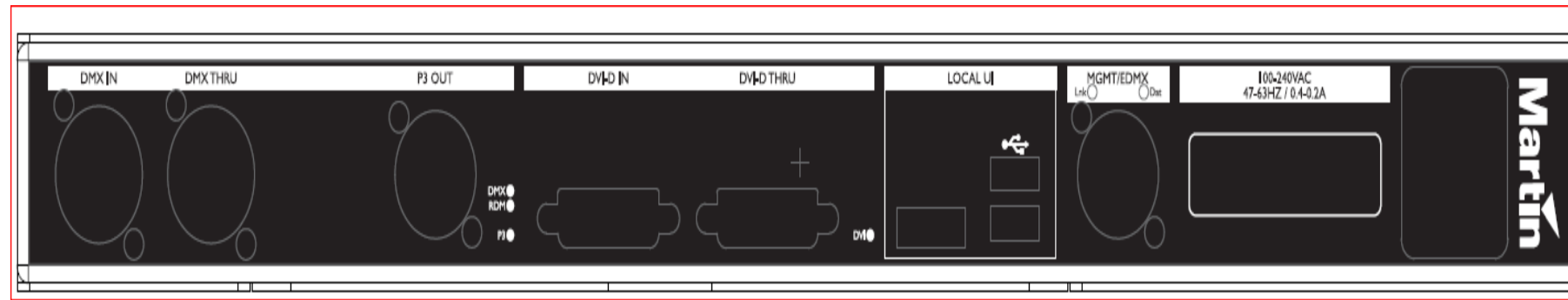
© 2018 Harman Professional



Video Wall with Digital Content



VC-GRID 15  
16x16 15 RGB



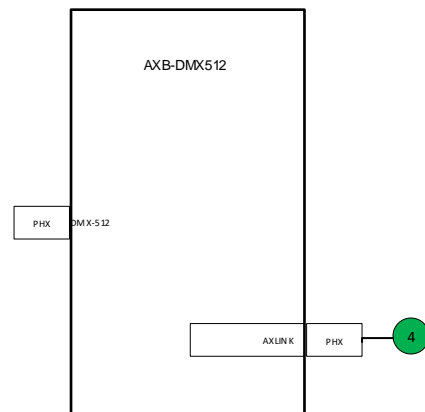
P3-150 Controller

**RETAIL Luxury /  
Flagship Location**  
Network Video

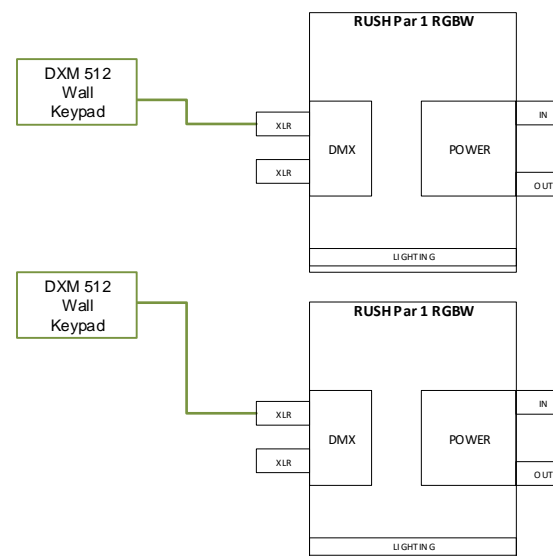
Notes

Notes	Rev	DATE

ISSUE DATE:



Front Entry



Legend

HD MI	Blue
DB15 VG A	Orange
DXLINK	Red
AU/DIO	Green
Blu Link	Yellow
BNC	Black
LAN	Purple
Lighting XLS	Light Blue
Control	Light Green
Control Tag	Light Yellow
Network Tag	Light Red
Audio Tag	Light Blue
Video Tag	Light Purple

PROJECT ENGINEER: Harman  
DRAWN BY: Harman

DRAWING NUMBER

AV-03

© 2018 Harman Professional