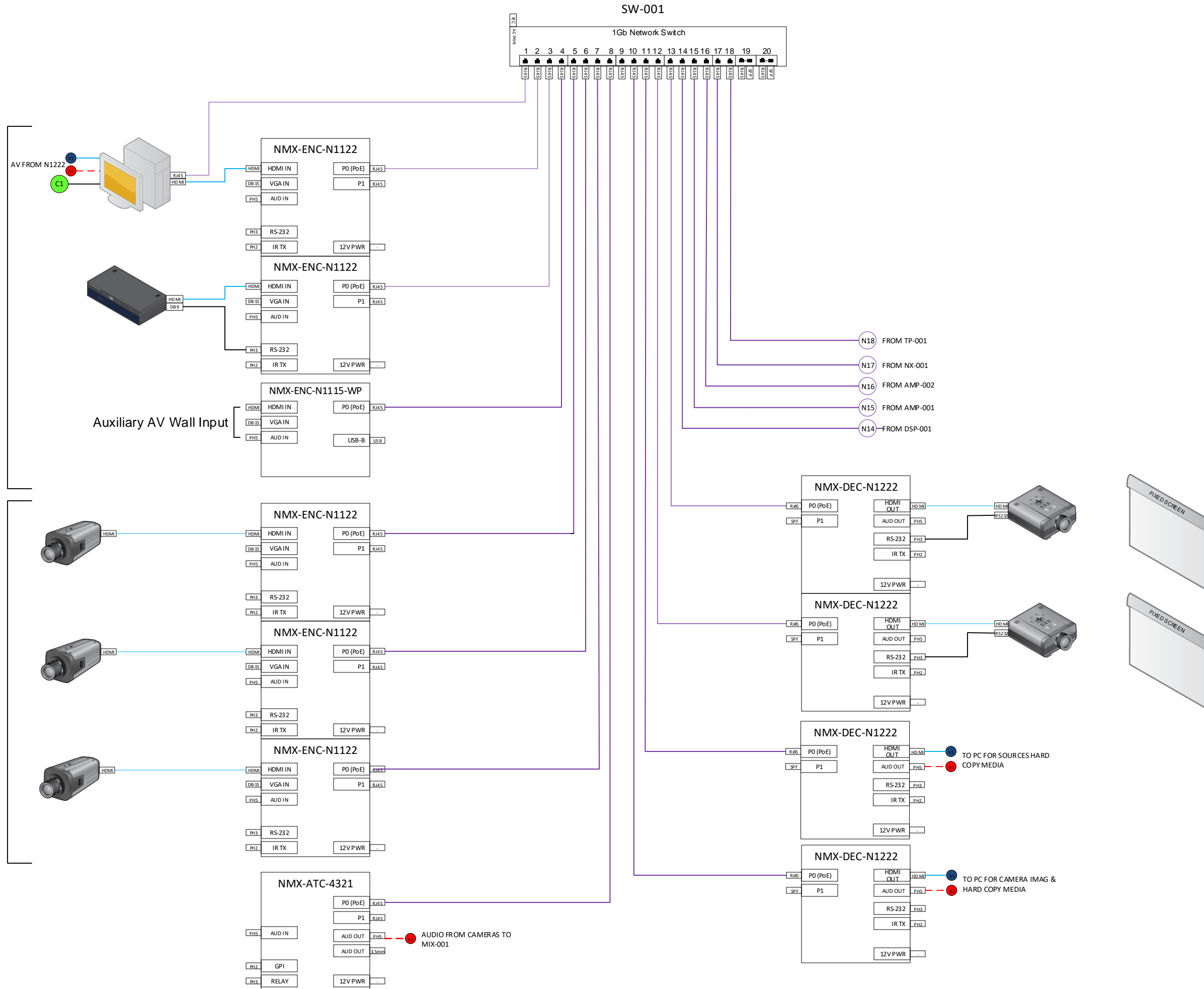


Traditional House of Worship Network AV

Control Booth

Camera Left
Center
Right



- N18 FROM TP-001
- N17 FROM NX-001
- N16 FROM AMP-002
- N15 FROM AMP-001
- N14 FROM DSP-001

Notes

Notes	Rev	DATE
Initial	0	

ISSUE DATE:

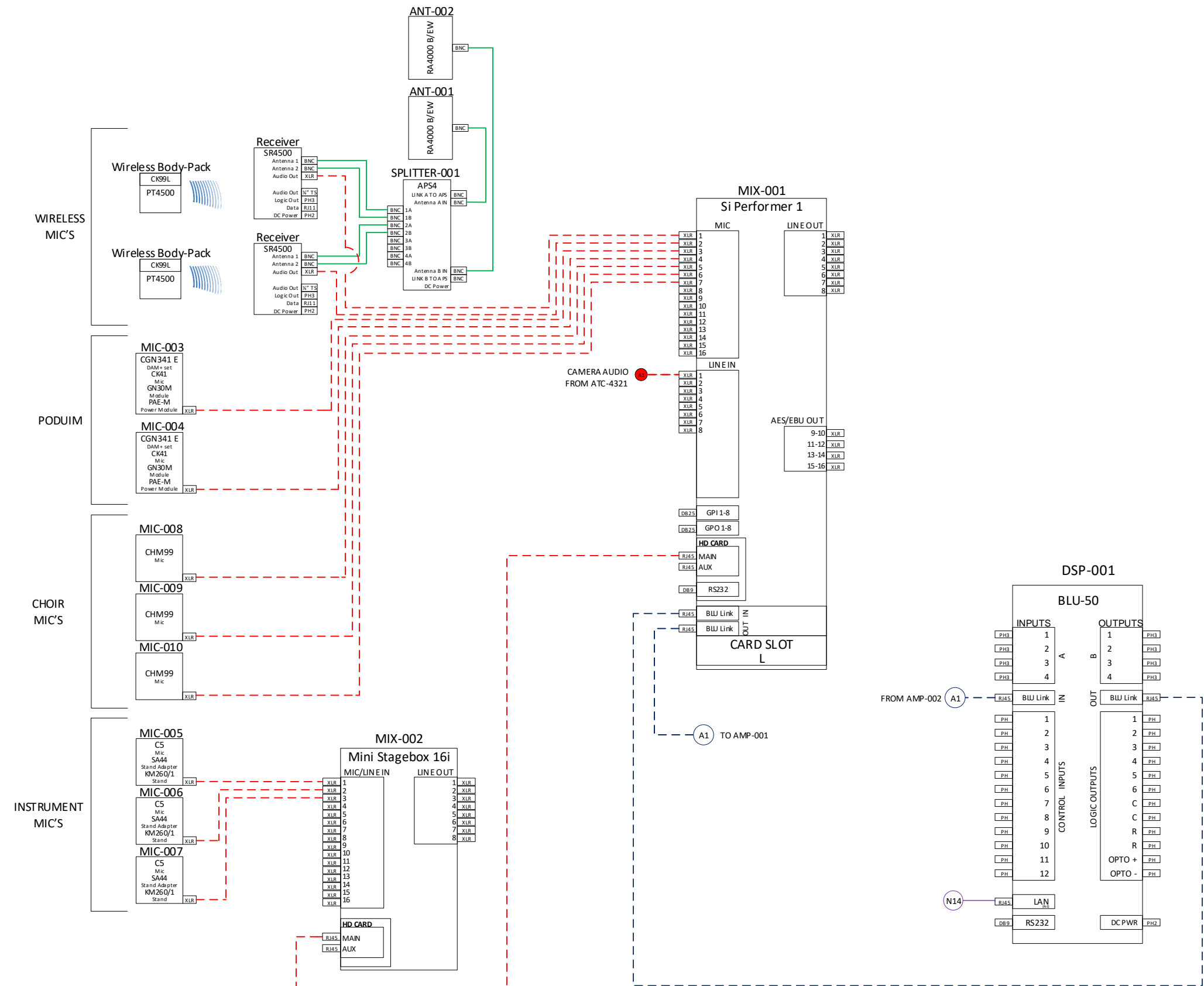
Legend

- HDMI
- DB15 VGA
- DXLINK
- AUDIO
- Blue Link
- BNC
- LAN
- Lighting XLS
- Control
- Control Tag
- Network Tag
- Audio Tag
- Video Tag

PROJECT ENGINEER: Harman
DRAWN BY: Harman
OPPORTUNITY NUMBER:

DRAWING NUMBER
V-01
© 2017 Harman Professional

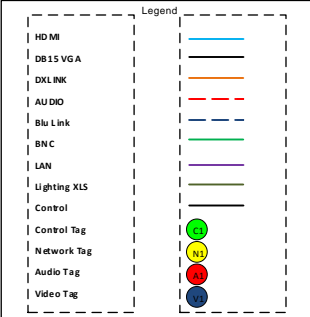
Traditional
House of Worship
Network AV



Notes

Notes	Rev	DATE
	0	

ISSUE DATE:

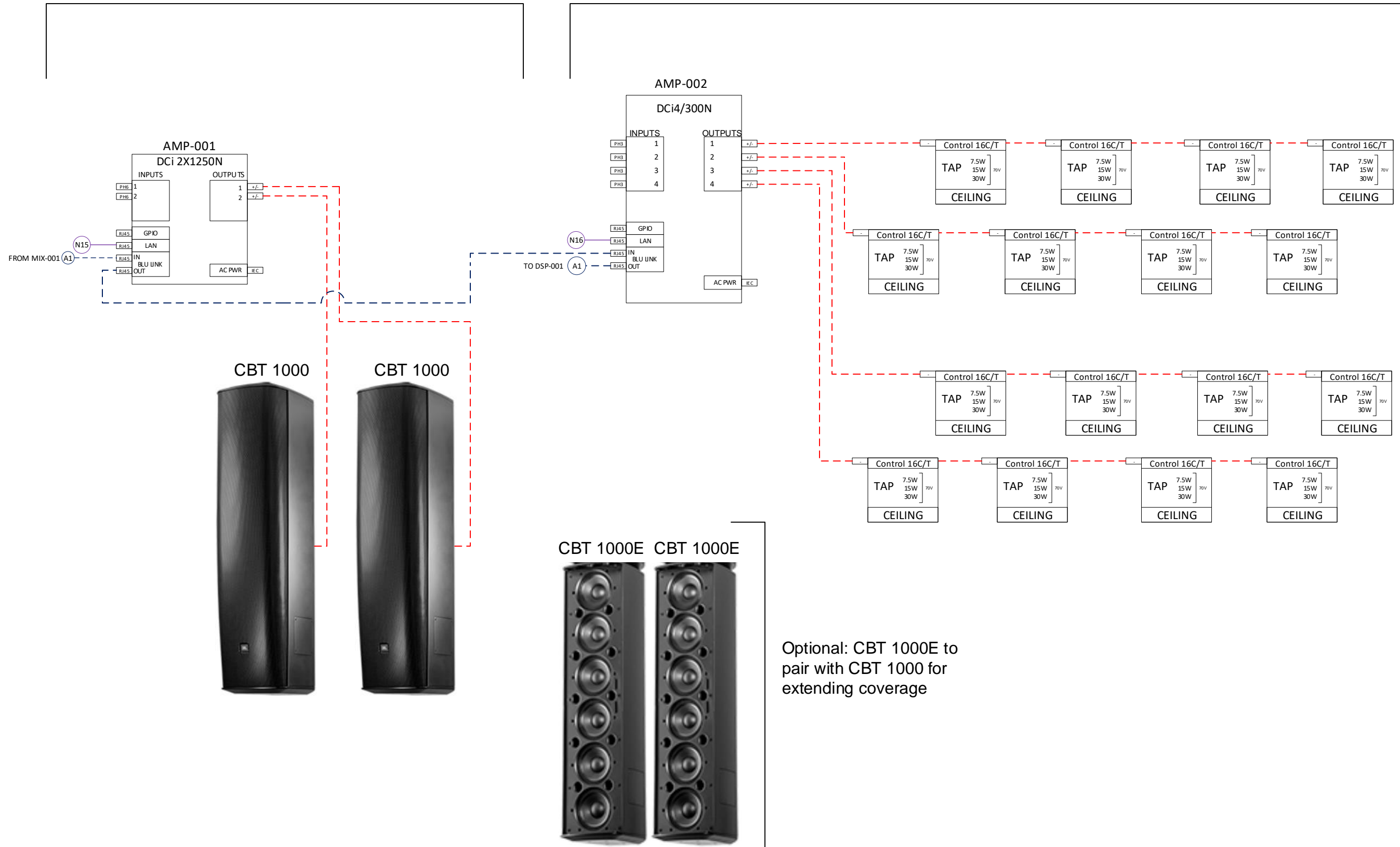


PROJECT ENGINEER: Harman
DRAWN BY: Harman
OPPORTUNITY
NUMBER:

DRAWING NUMBER
A-01
© 2017 Harman Professional

Main Front Left & Right

Outlying Congregation Areas Left & Right



Traditional
House of Worship
Network AV

Notes

Notes	Rev	DATE
Initial	0	

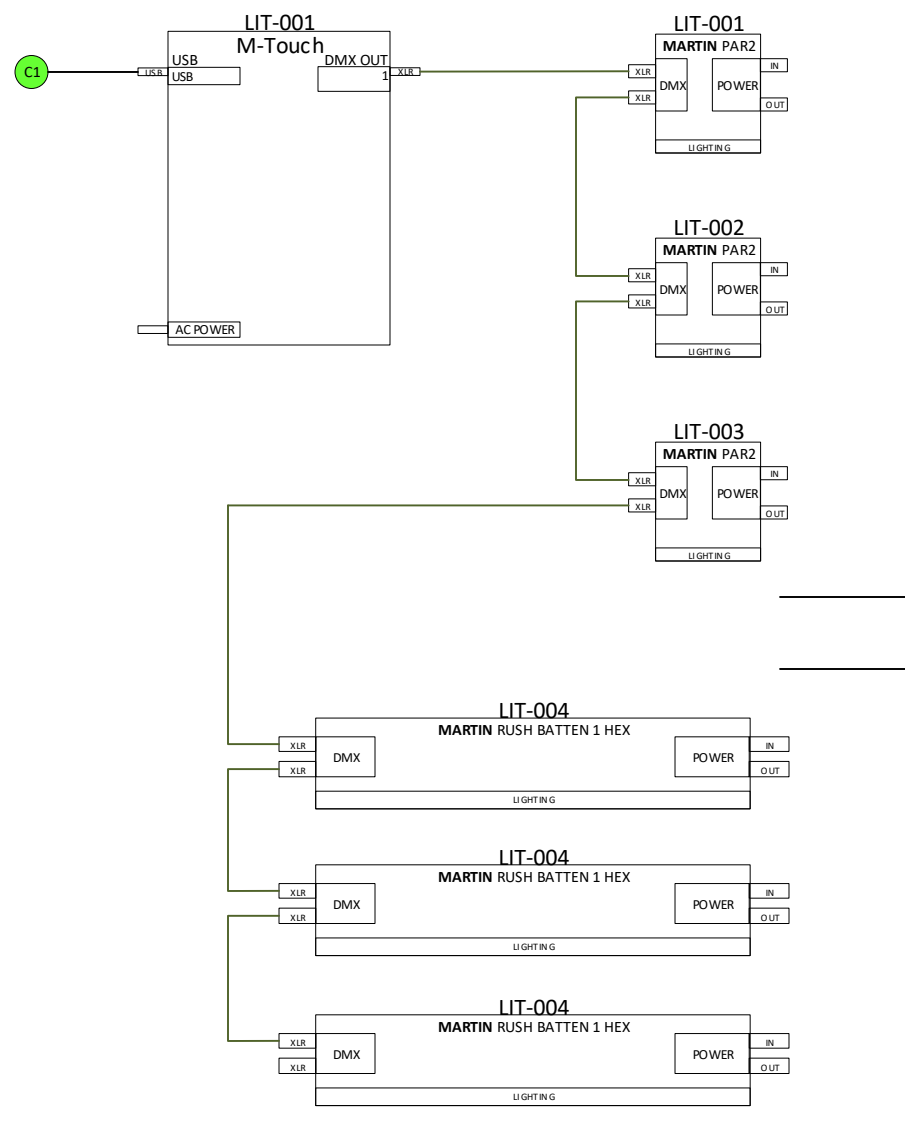
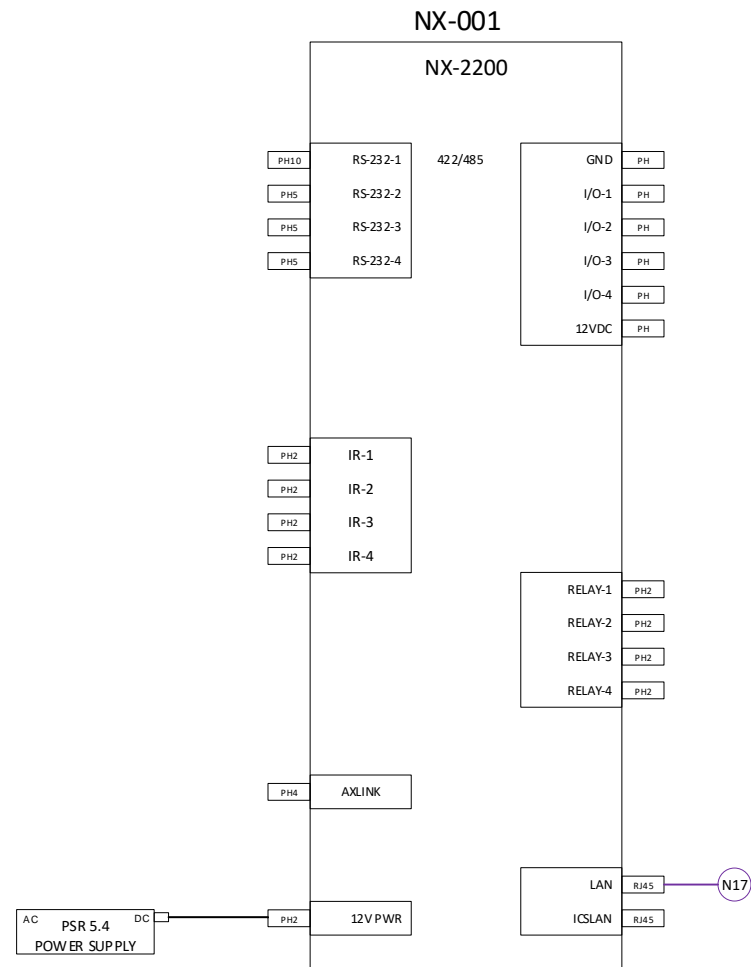
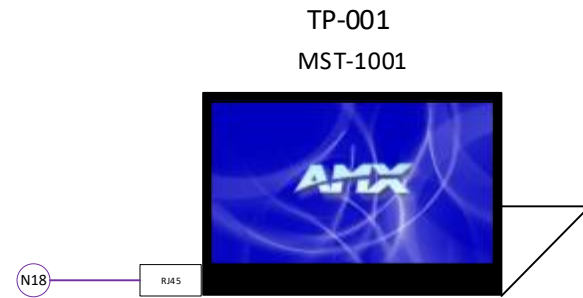
ISSUE DATE:

Legend

HDMI	
DB15 VGA	
DXLINK	
AUDIO	
Blu Link	
BNC	
LAN	
Lighting XLS	
Control	
Control Tag	
Network Tag	
Audio Tag	
Video Tag	

PROJECT ENGINEER: Harman
DRAWN BY: Harman
OPPORTUNITY
NUMBER:

DRAWING NUMBER
A-02
© 2017 Harman Professional



SPOTS FOR ALTER
AND CHOIR

WALL WASH FOR LARGE
ART/ARCHITECTURAL AT
BACK OF ALTER

Traditional
House of Worship
Network AV

Notes

Notes	Rev	DATE
Initial	0	

ISSUE DATE:

Legend	
HDMI	
DB15 VGA	
DXLINK	
AUDIO	
Blu Link	
BNC	
LAN	
Lighting XLS	
Control	
Control Tag	
Network Tag	
Audio Tag	
Video Tag	

PROJECT ENGINEER: Harman
DRAWN BY: Harman
OPPORTUNITY
NUMBER:

DRAWING NUMBER

CL-01

© 2017 Harman Professional