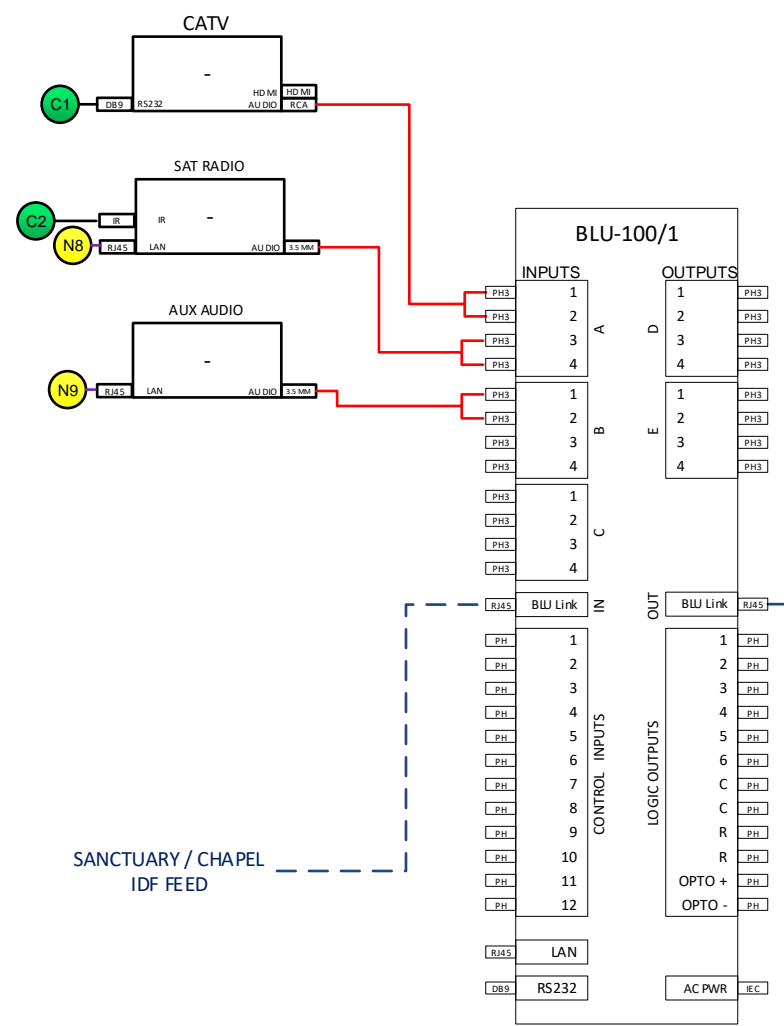
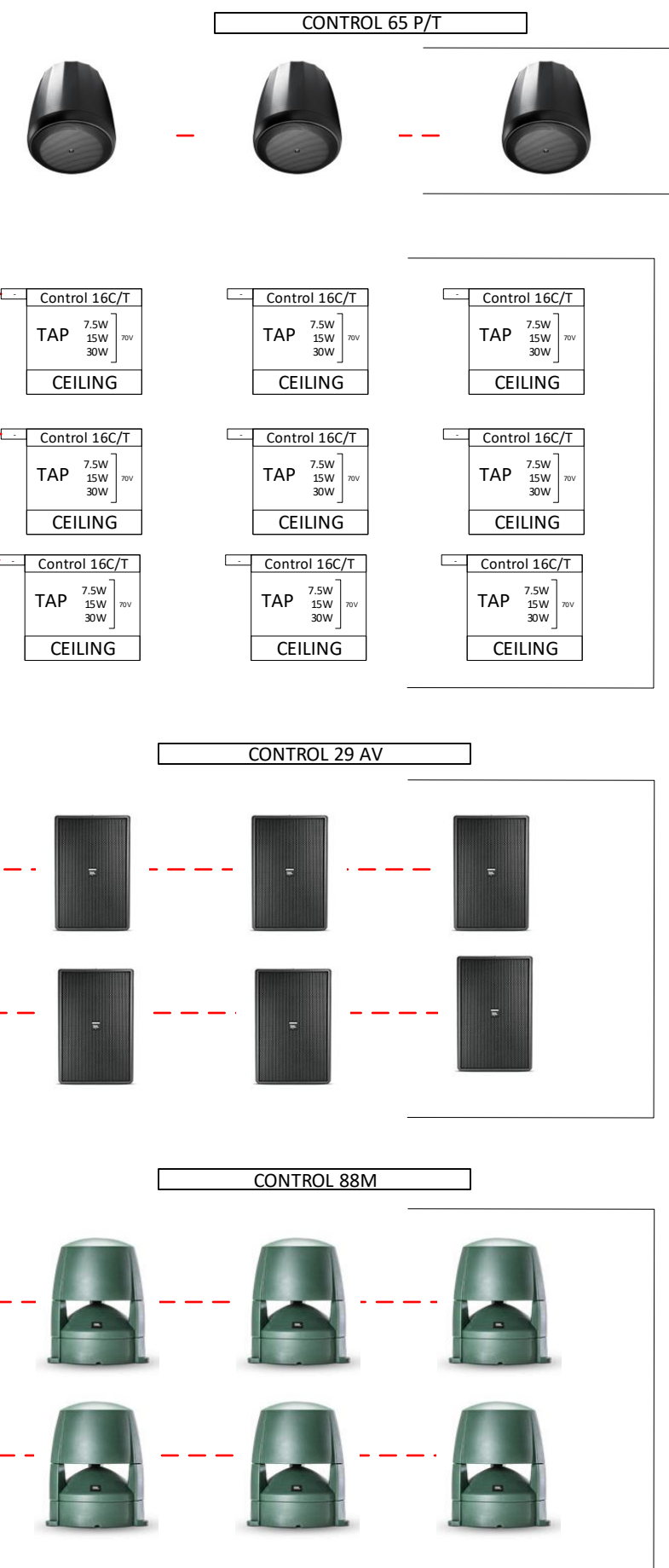


SPEAKER QTY/LOCATIONS TBD PER ROOM SIZE

DEDICATED FACILITY SOURCES



SANCTUARY / CHAPEL
IDF FEED



ENTRY /
FOYER

HALLWAYS AND
PREFUNCTION

OFFICES &
DAYCARE

CAFÉ AND
RESTROOMS

YOUTH CENTER

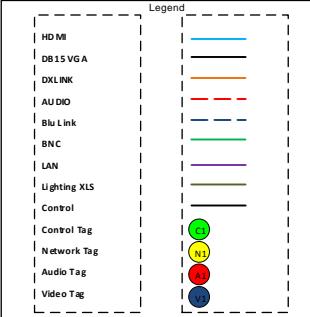
COURTYARD,
OUTDOOR &
LANDSCAPE

HOW – Public and Ancillary Spaces Audio

Notes

Notes	Rev	DATE
CL	0	03/20/18

ISSUE DATE:

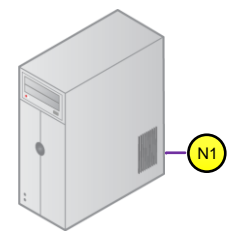


PROJECT ENGINEER: Harman
DRAWN BY: Harman

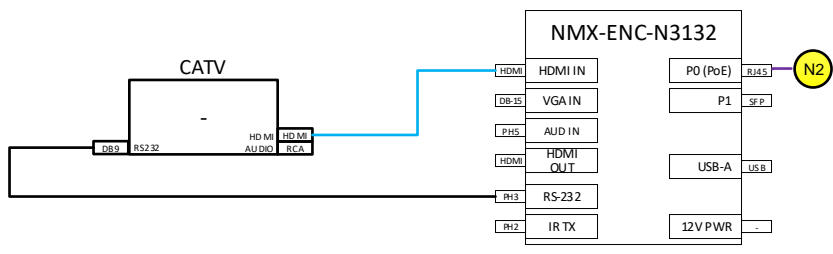
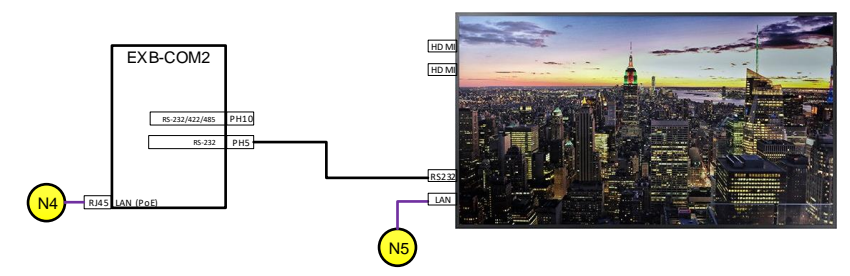
DRAWING NUMBER
AV-01
© 2017 Harman Professional

HOW – Public and Ancillary Spaces Video

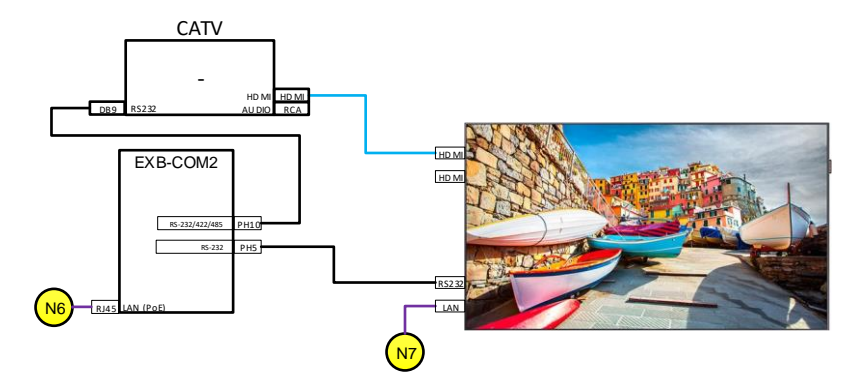
PC / MAGIC INFO SERVER



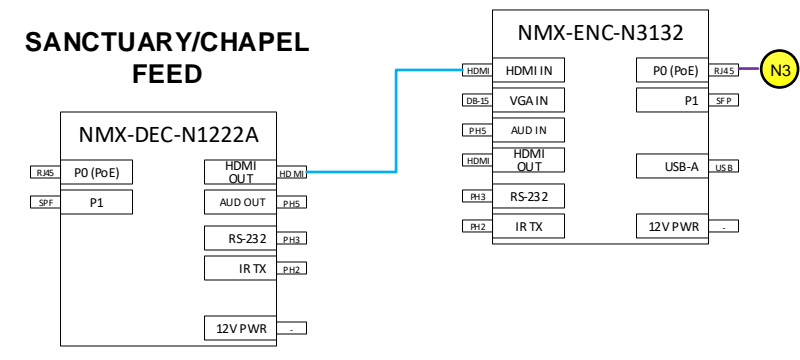
TYPICAL DISPLAY LOCATION (IPTV) - QTY/LOCATION TBD



TYPICAL DISPLAY LOCATION (IPTV / CATV) - QTY/LOCATION TBD



SANCTUARY/CHAPEL FEED



Notes

Notes	Rev	DATE
CL	0	03/20/18

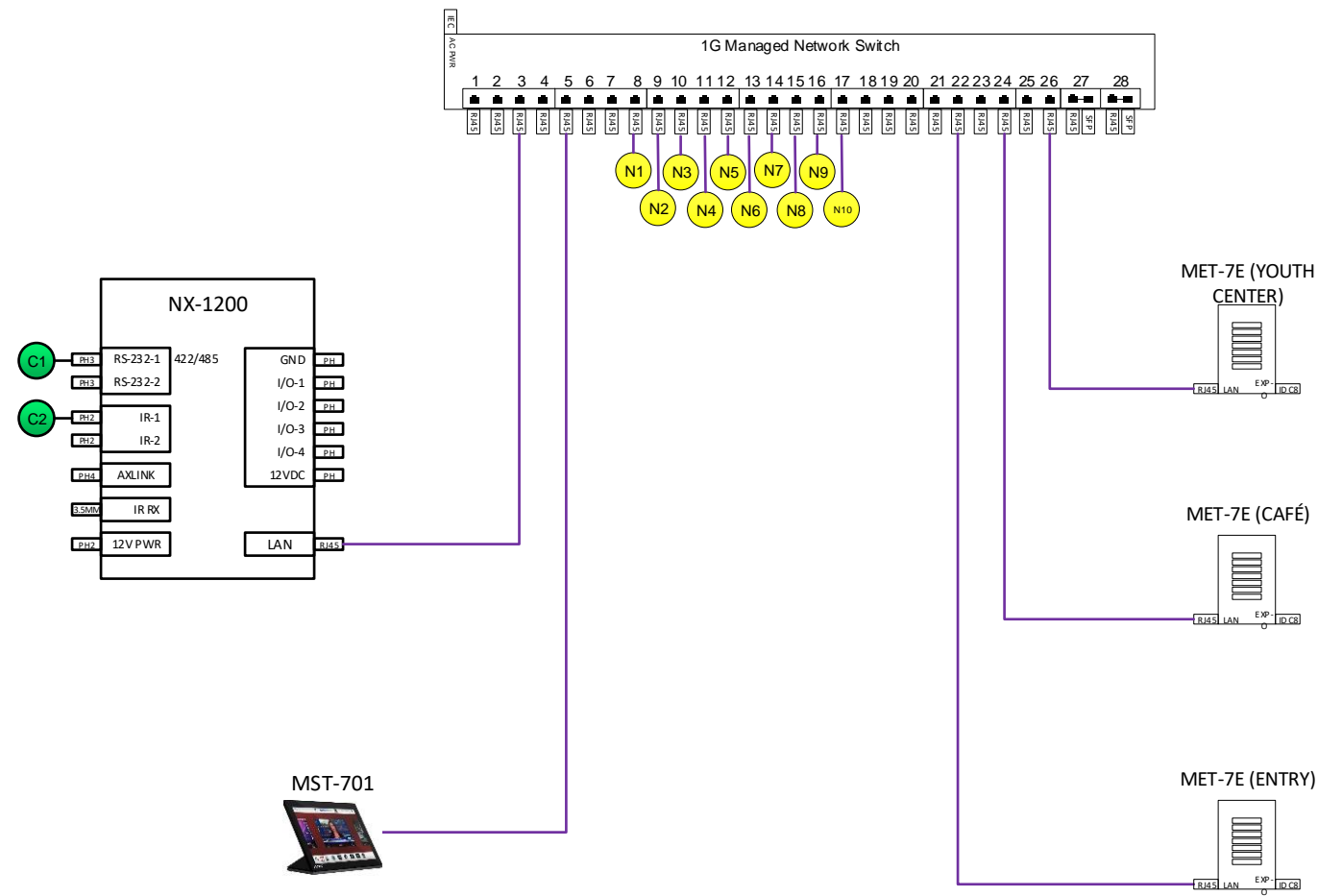
ISSUE DATE:

Legend	
HDMI	
DB15 VGA	
DXLINK	
AU/DIO	
Blu Link	
BNC	
LAN	
Lighting XLS	
Control	
Control Tag	
Network Tag	
Audio Tag	
Video Tag	

PROJECT ENGINEER: Harman
DRAWN BY: Harman

DRAWING NUMBER
AV-01
© 2017 Harman Professional

HOW – Public and Ancillary Spaces Control and Network



Notes

Notes	Rev	DATE
CL	0	03/20/18

ISSUE DATE:

Legend	
HDMI	
DB15 VGA	
DXLINK	
AU/DIO	
Blu Link	
BNC	
LAN	
Lighting XLS	
Control	
Control Tag	
Network Tag	
Audio Tag	
Video Tag	

PROJECT ENGINEER: Harman
DRAWN BY: Harman

DRAWING NUMBER
AV-01
© 2017 Harman Professional