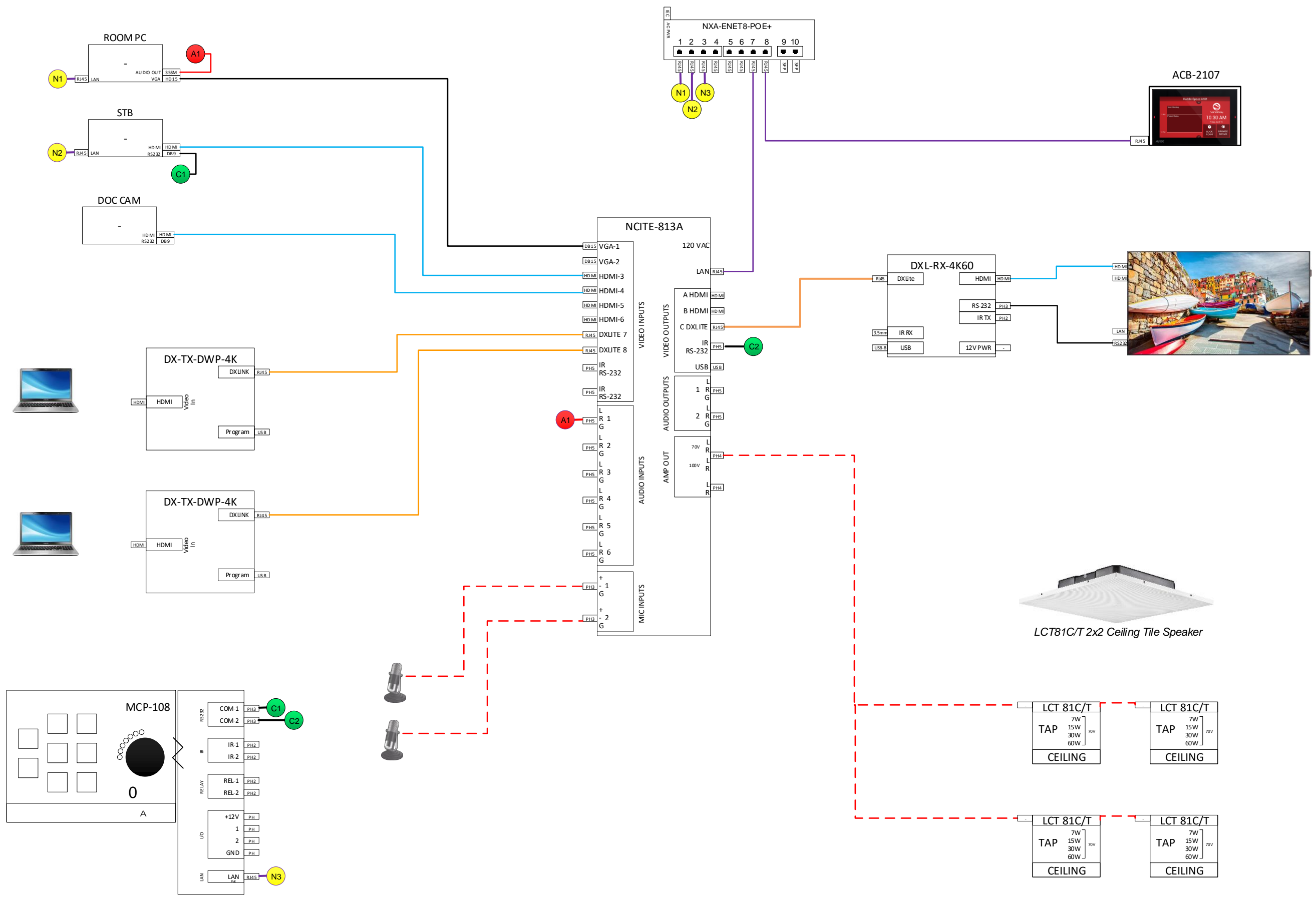


Education Classroom

Traditional AV



Notes

Notes	Rev	DATE
CL	0	07/09/18

ISSUE DATE:

Legend

HD MI	—
DB 15 VGA	—
DXLINK	—
AUDIO	—
Blu Link	—
BNC	—
LAN	—
Lighting XLS	—
Control	—
Control Tag	● C1
Network Tag	● N1
Audio Tag	● A1
Video Tag	● V1

PROJECT ENGINEER: Harman
DRAWN BY: Harman

DRAWING NUMBER
AV-01
© 2017 Harman Professional