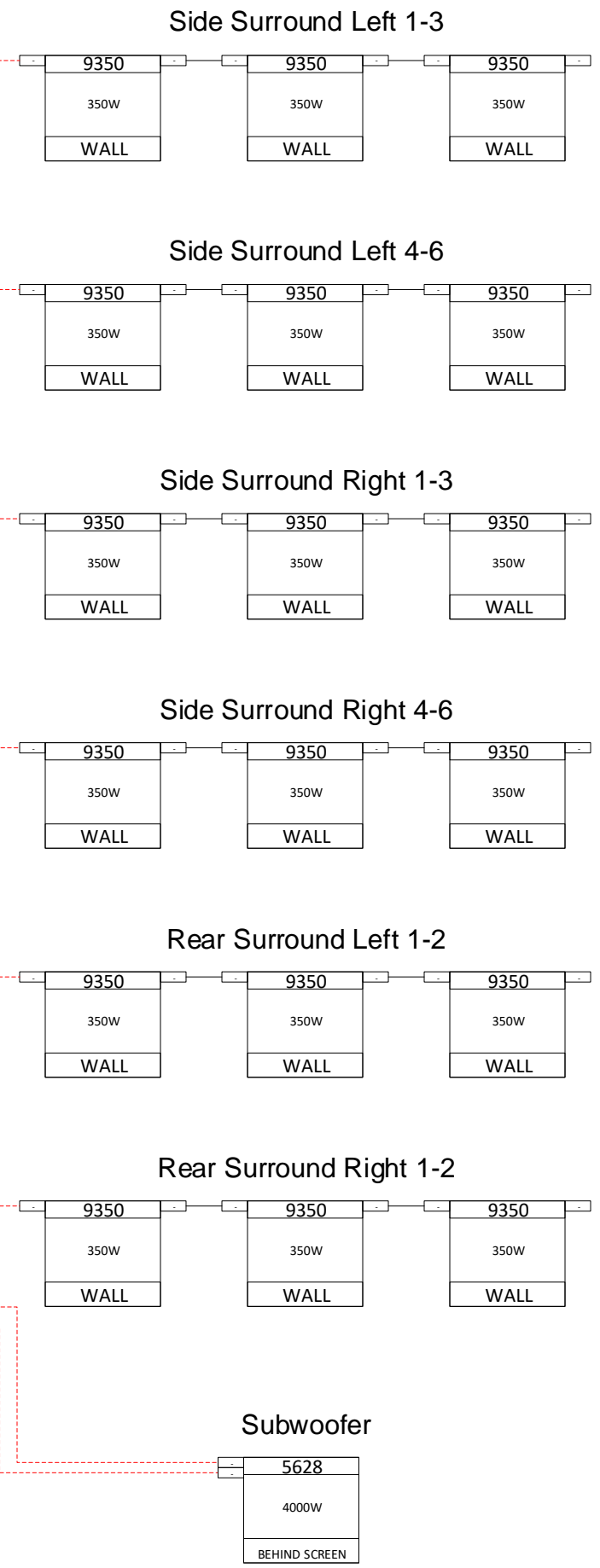
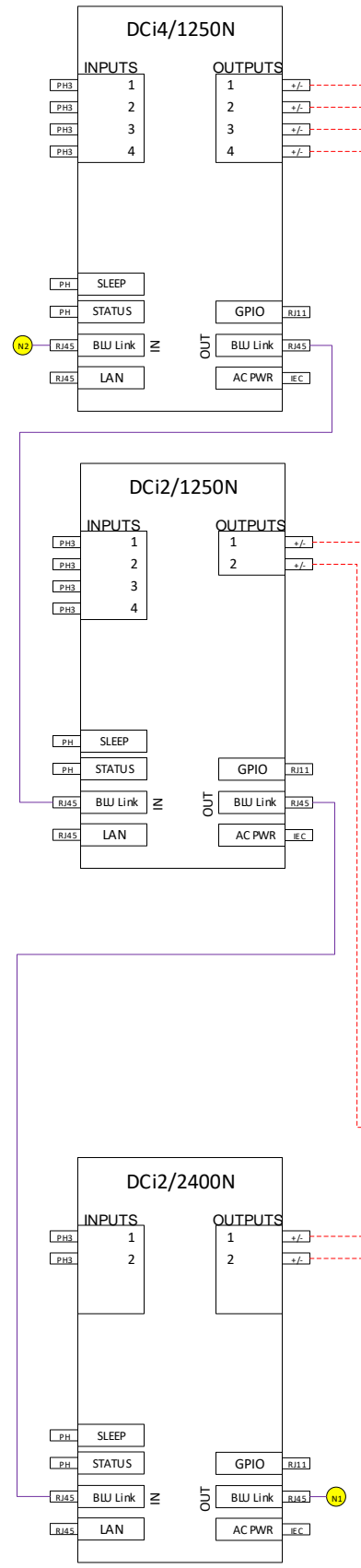
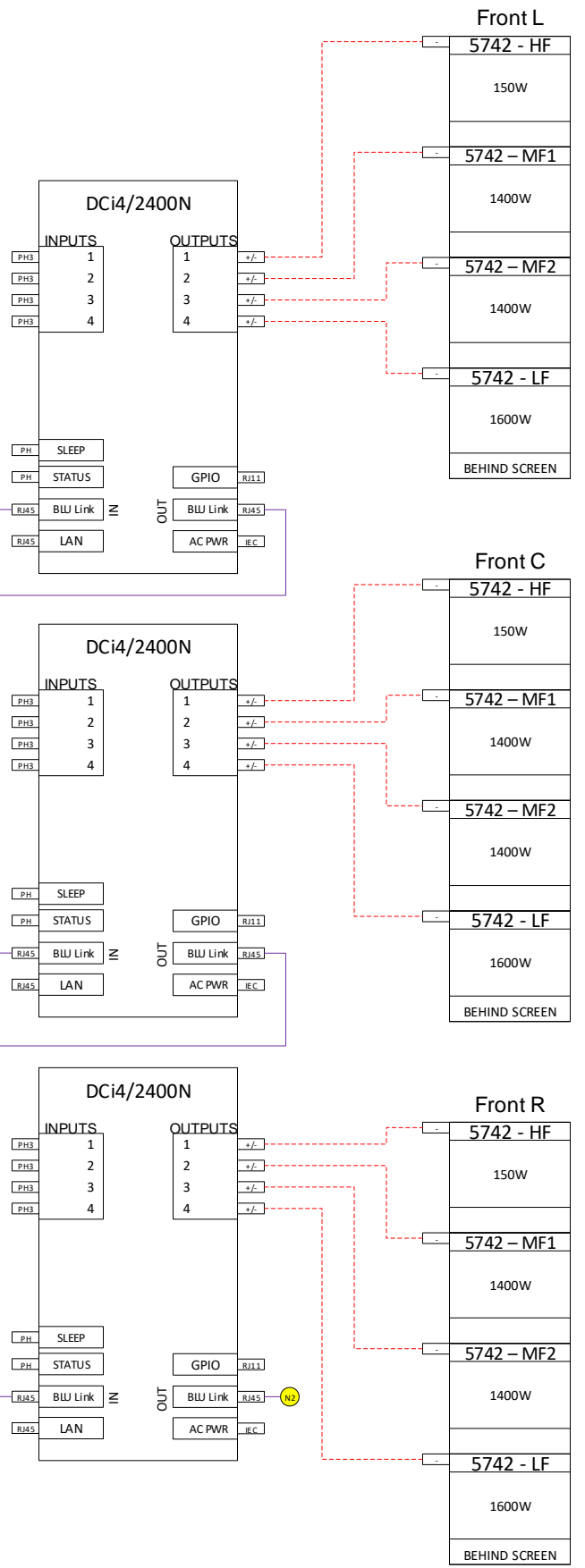
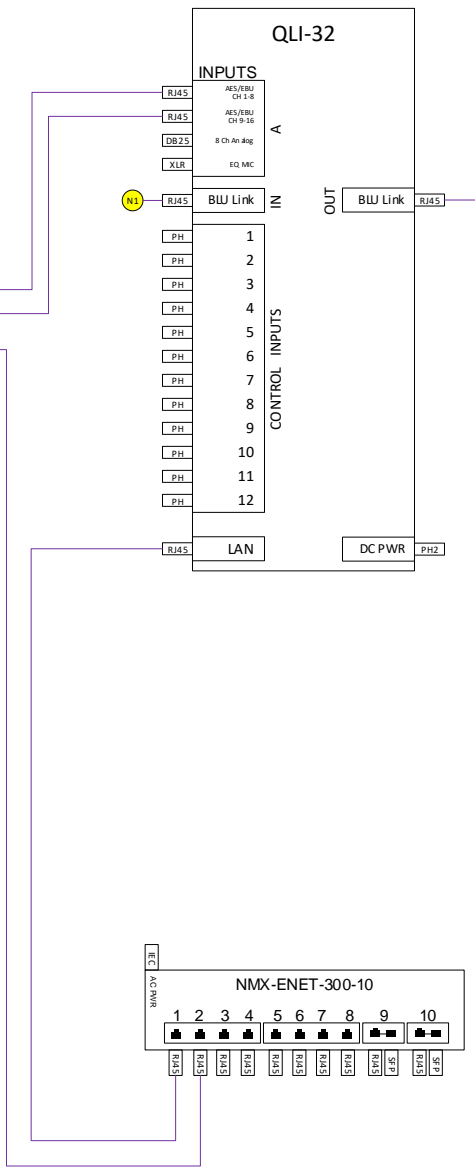


# 350+ Seat Theater



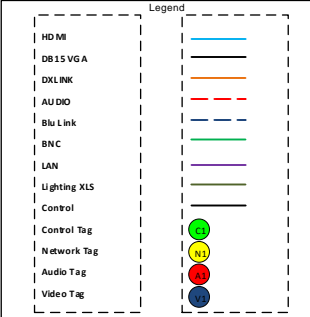
Cinema Server



**Notes**

Notes	Rev	DATE
	0	

ISSUE DATE: 03/23/2018



PROJECT ENGINEER: Harman  
 DRAWN BY: Harman

DRAWING NUMBER  
**AV-01**  
 © 2017 Harman Professional