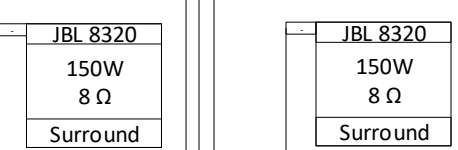
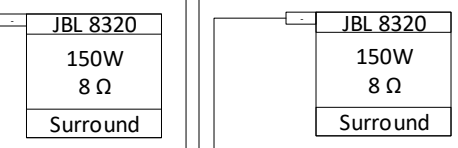
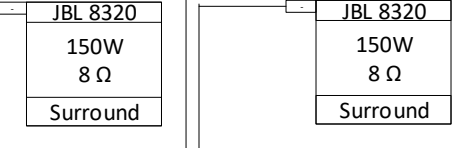
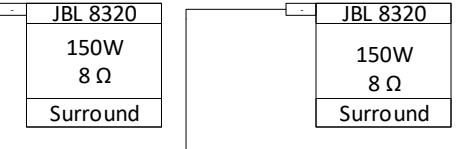
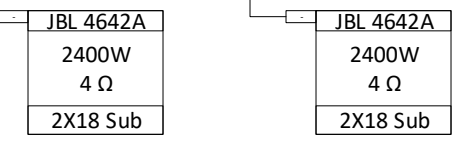
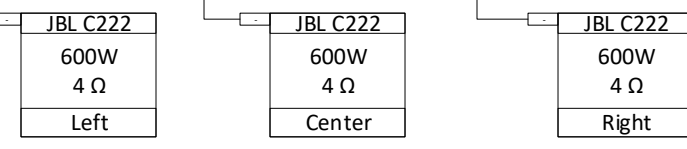
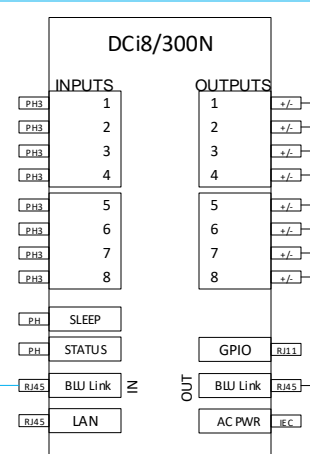
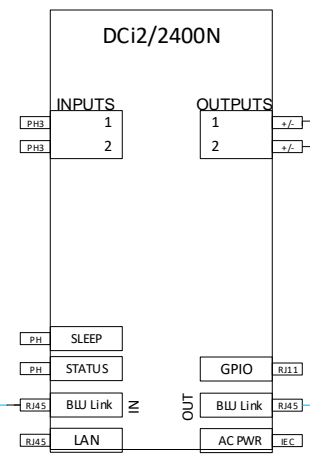
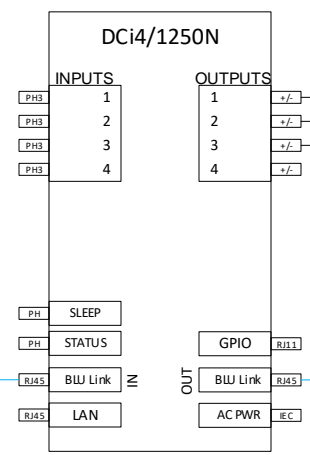
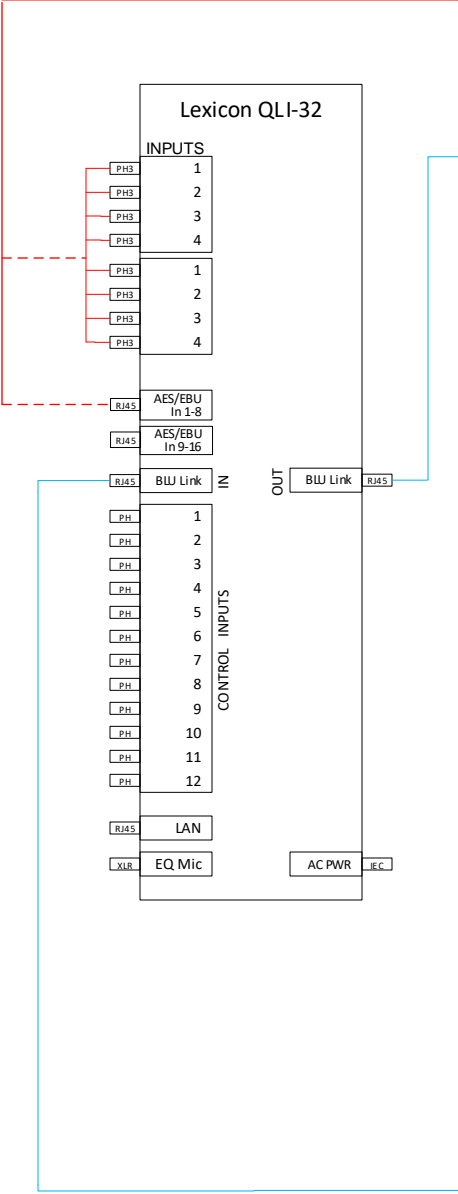


Projector
Media server
Surround Processor
Analog/ AES/EBU out

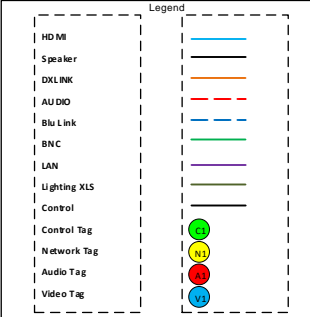


150-350 Seat Theater

Notes

| Notes | Rev | DATE |
|---------|-----|----------|
| Initial | 0 | 10/01/17 |
| | | |
| | | |
| | | |

ISSUE DATE:



PROJECT ENGINEER: Harman
DRAWN BY: Harman

DRAWING NUMBER
AV-01
© 2017 Harman Professional