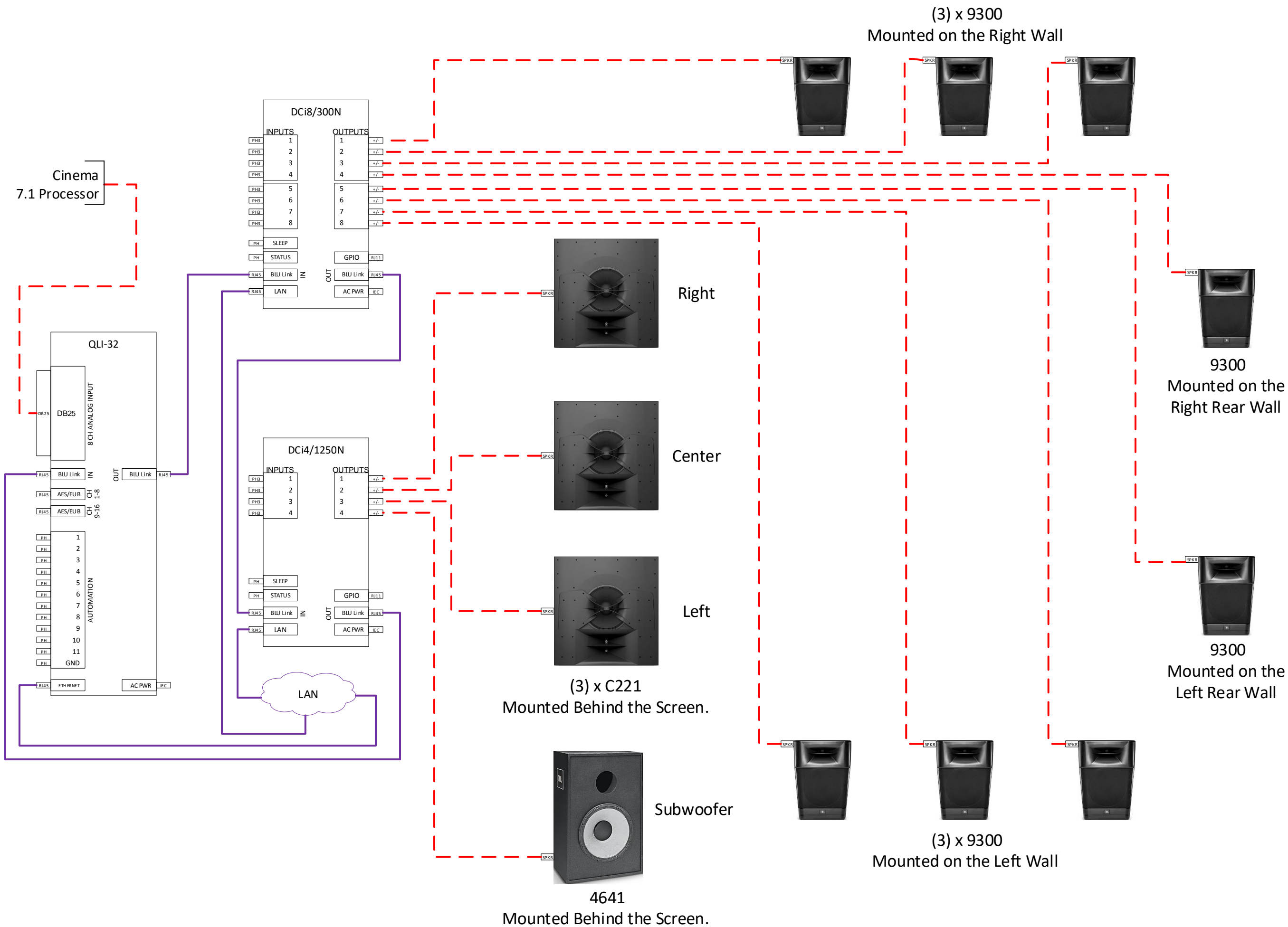


150 Seat Cinema



Notes

Notes	Rev	DATE
Initial	0	03/14/18

ISSUE DATE:

PROJECT ENGINEER: Harman
 DRAWN BY: Harman
 OPPORTUNITY NUMBER:

DRAWING NUMBER
A-01
 © 2018 Harman Professional