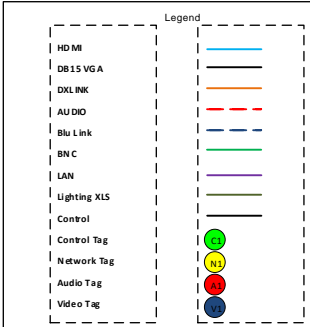


Boardroom Hybrid

Notes

Notes	Rev	DATE

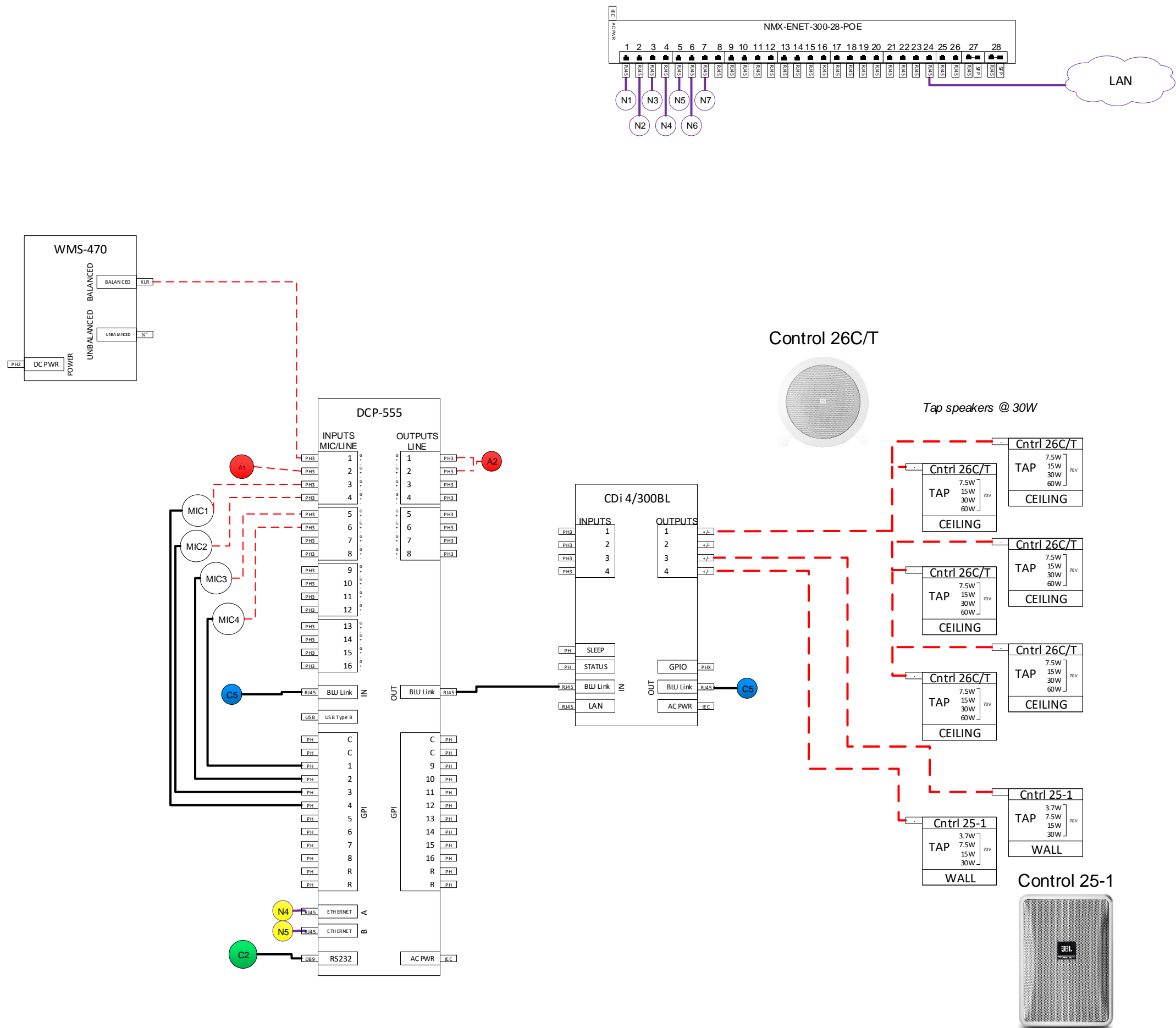
ISSUE DATE: 9/1/2017



PROJECT ENGINEER: Harman
DRAWN BY: Harman

DRAWING NUMBER
AV-01
© 2017 Harman Professional

Boardroom Hybrid



Notes

Notes	Rev	DATE

ISSUE DATE: 9/1/2017

Legend	
HDMI	—
DB15 VGA	—
DXL INK	—
AU DIO	—
Blu Link	—
BNC	—
LAN	—
Lighting XLS	—
Control	—
Control Tag	●
Network Tag	●
Audio Tag	●
Video Tag	●

PROJECT ENGINEER: Harman
DRAWN BY: Harman

DRAWING NUMBER

AV-01

© 2017 Harman Professional