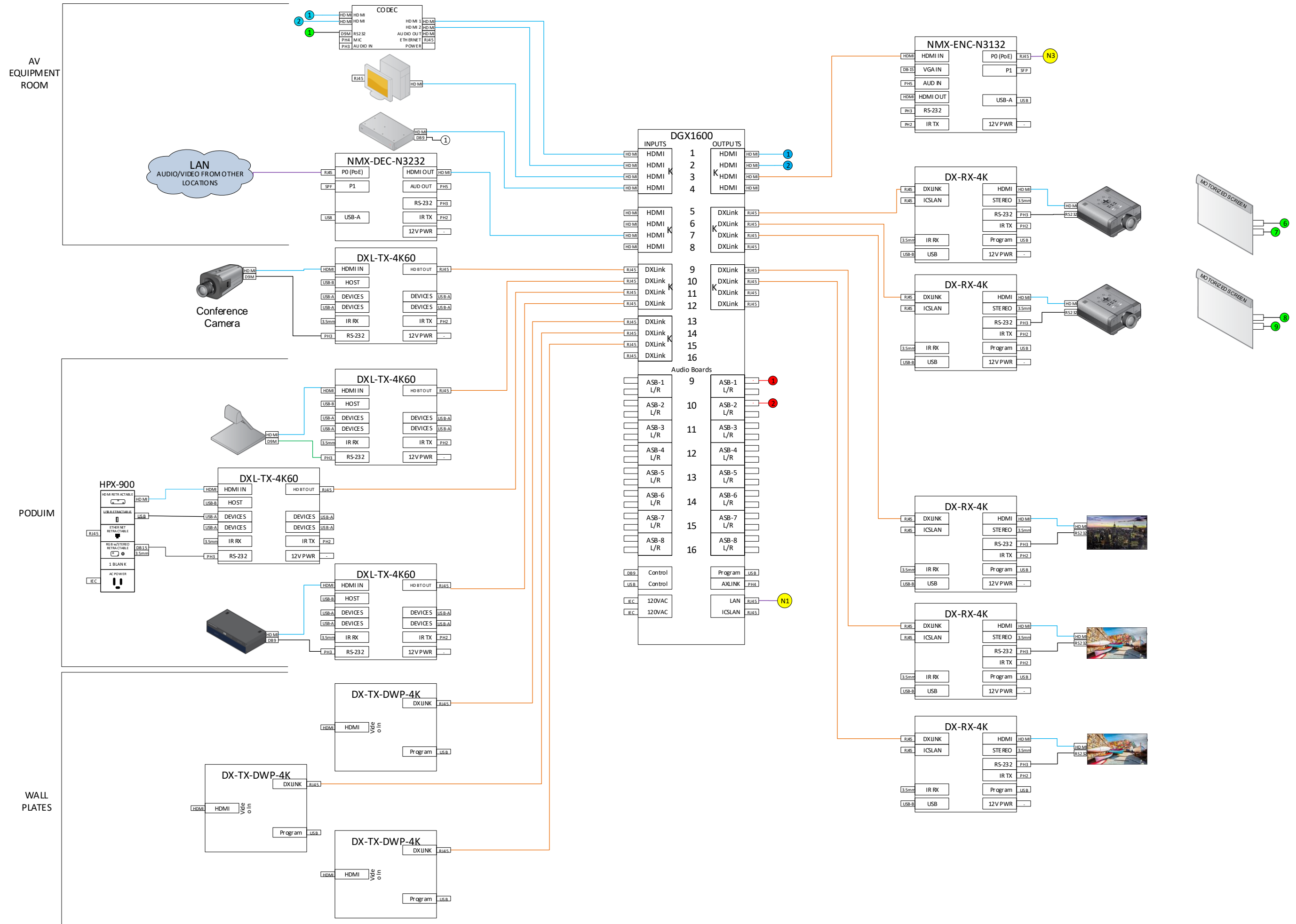


Training Theater Hybrid



Notes

Notes	Rev	DATE
Initial	0	8/31/17
ESS	1	7/11/18

ISSUE DATE: 9/1/2017

Legend

HDMI	
DB15 VGA	
DXLINK	
AUDIO	
Blue Link	
BNC	
LAN	
Lighting XLS	
Control	
Control Tag	
Network Tag	
Audio Tag	
Video Tag	

PROJECT ENGINEER: Harman
DRAWN BY: Harman

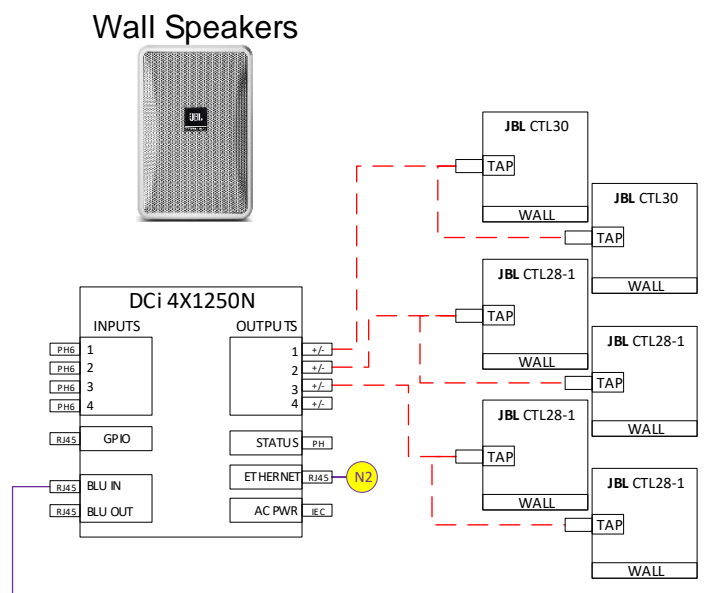
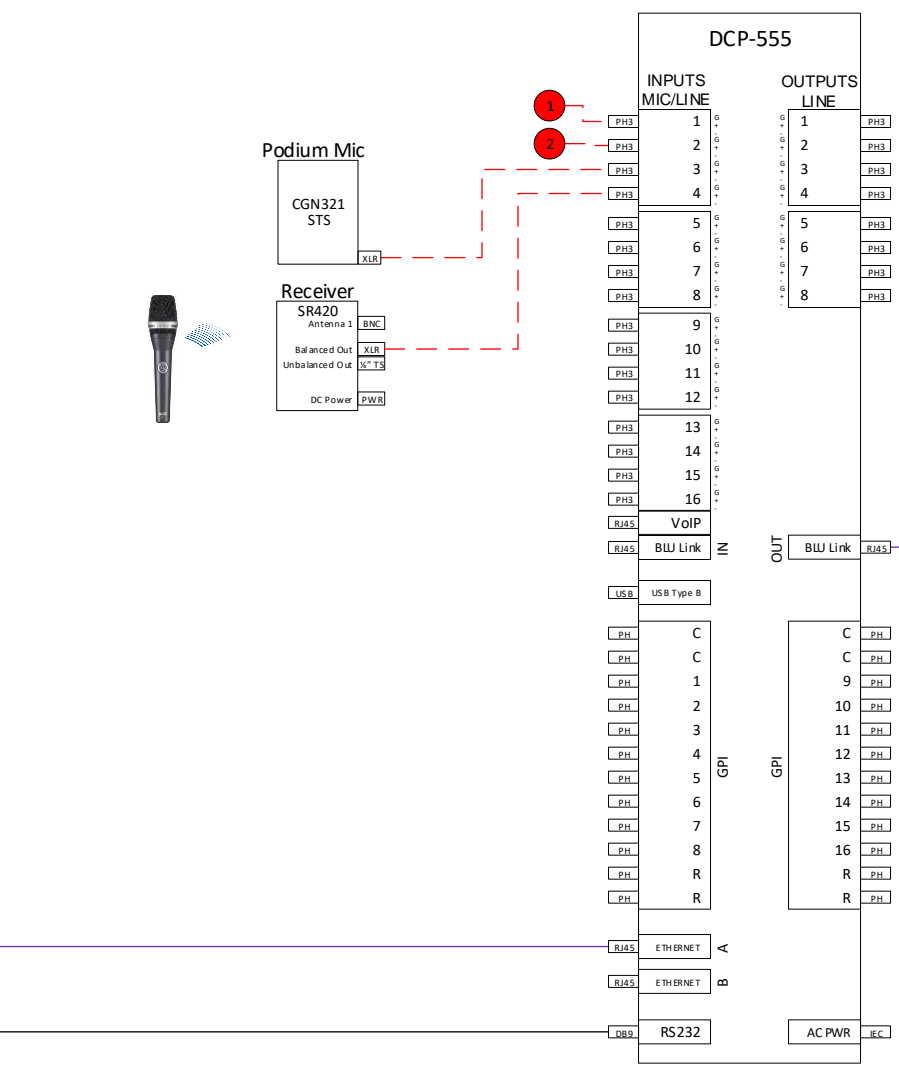
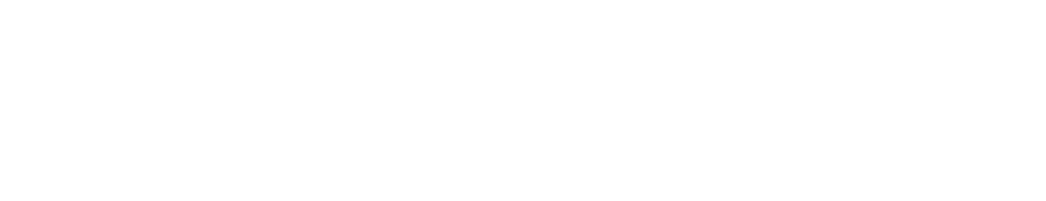
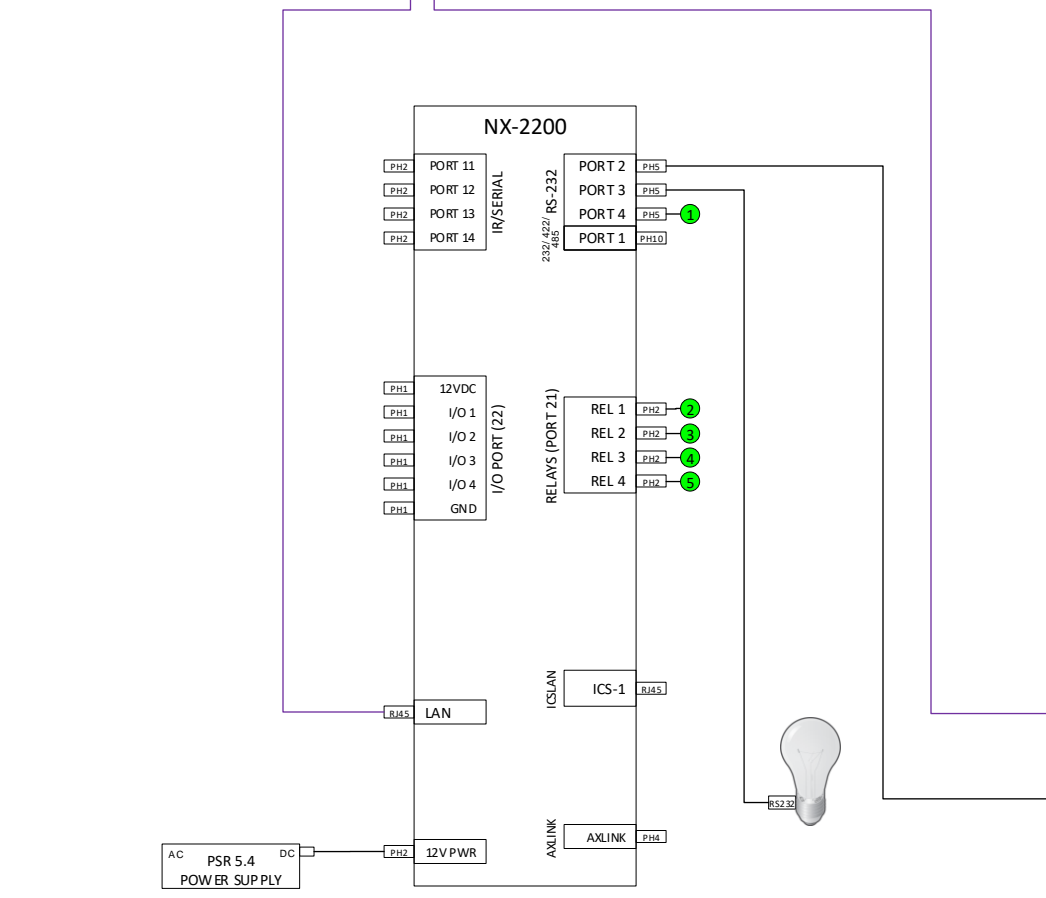
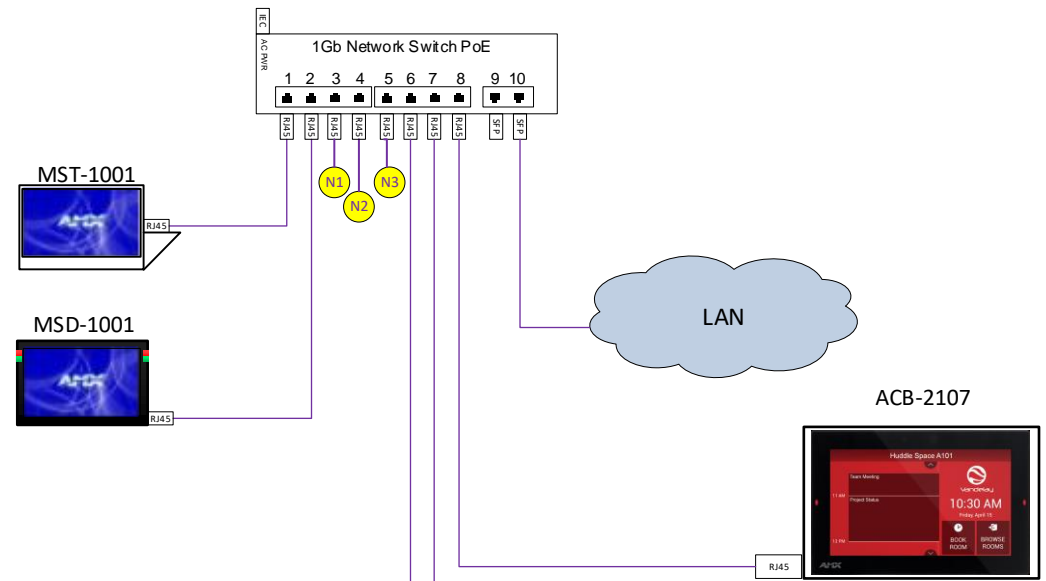
DRAWING NUMBER

AV-01

© 2017 Harman Professional

Training Theater

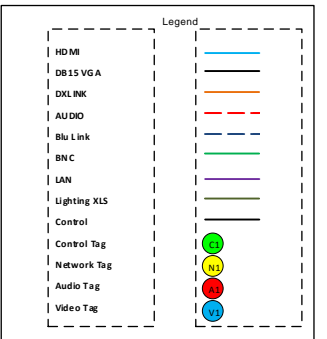
Hybrid



Notes

Notes	Rev	DATE
Initial	0	8/31/17
ESS	1	7/11/18

ISSUE DATE: 9/1/2017



PROJECT ENGINEER: Harman
DRAWN BY: Harman

DRAWING NUMBER
AV-02
© 2018 Harman Professional