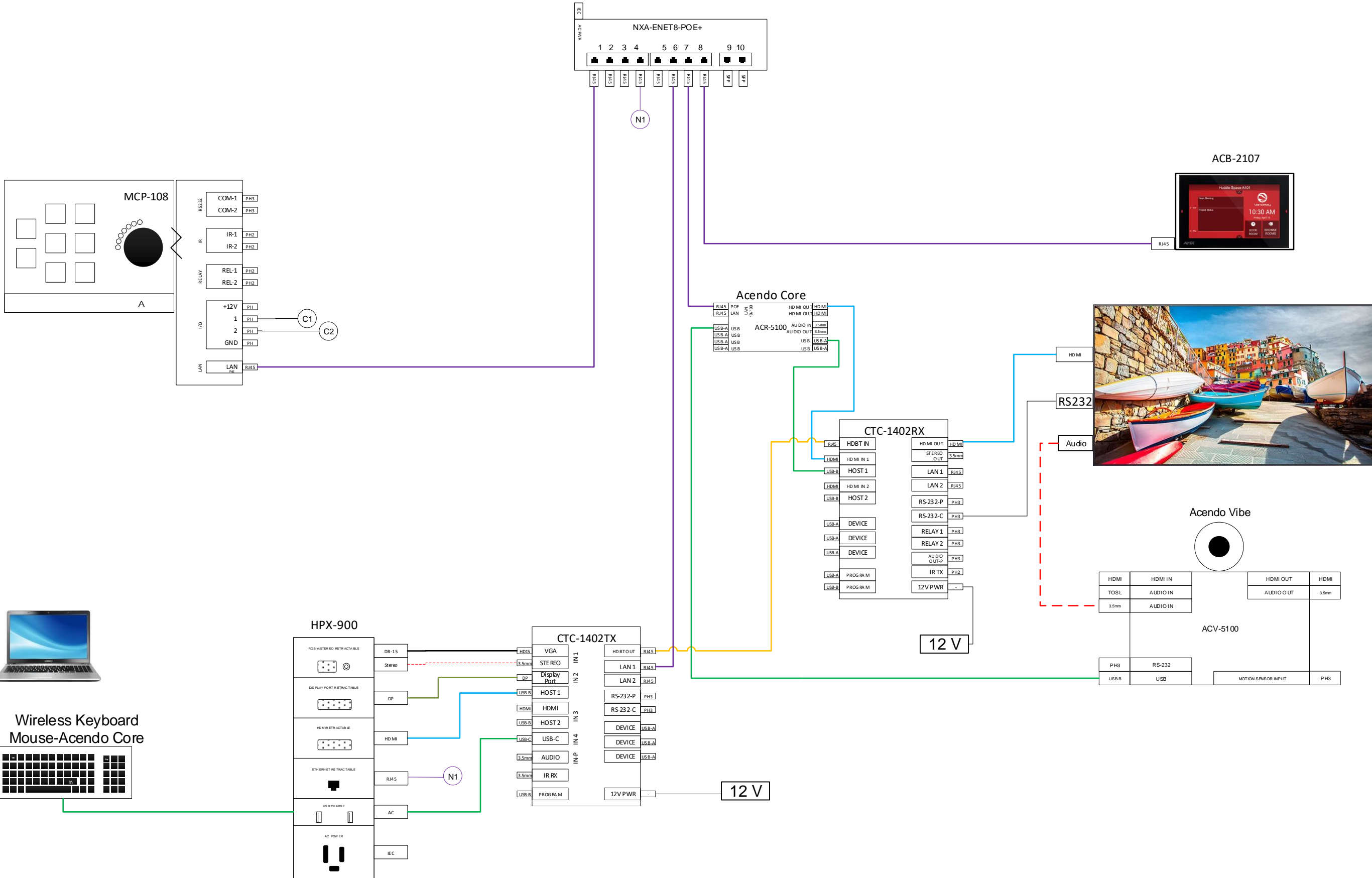


Corporate Huddle Room
Traditional AV



Notes

Notes	Rev	DATE

ISSUE DATE: 9/1/2017

PROJECT ENGINEER: Harman
DRAWN BY: Harman
OPPORTUNITY NUMBER:

DRAWING NUMBER

AV-01

© 2017 Harman Professional