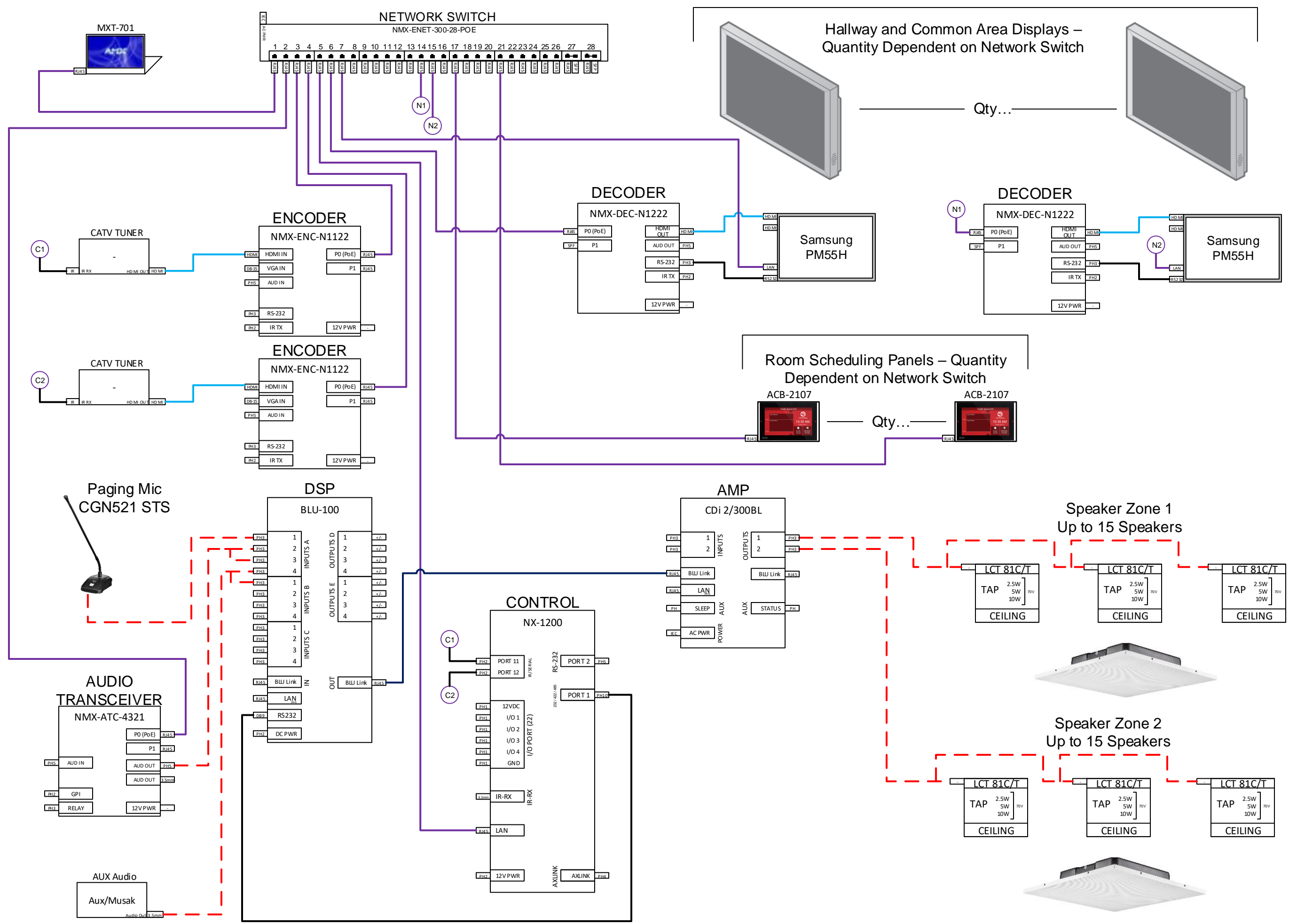


HALLWAYS AND COMMON AREA
Traditional



Hallway and Common Area Displays –
Quantity Dependent on Network Switch

Qty...

Room Scheduling Panels – Quantity
Dependent on Network Switch

Qty...

Speaker Zone 1
Up to 15 Speakers



Speaker Zone 2
Up to 15 Speakers



Notes

Notes	Rev	DATE

ISSUE DATE: 9/1/2017

PROJECT ENGINEER:
DRAWN BY:
OPPORTUNITY
NUMBER:

DRAWING NUMBER

AV-01A

© 2017 Harman Professional